


Lotek



IP20    

Dimmerable: +  -

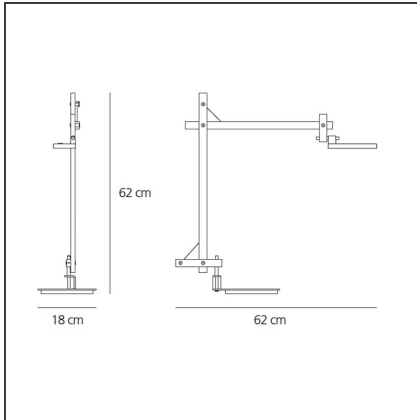
DESIGN BY

Javier Mariscal

DESCRIPTION

Table lamp with adjustable arms and head. Materials: painted steel base; painted aluminium head; arms in anodized aluminium.

TECHNICAL DRAWINGS



FEATURES

| | | | |
|----------------------|------------|-----------------------|----------------------------------|
| Article Code: | - - - | Material: | Aluminum, steel |
| Colour: | Multicolor | Series: | Scenarios |
| Installation: | Table | Area contract: | Hospitality, Office, Residential |
| | | Emission: | Adjustable |

DIMENSIONS

| | | | |
|---------------------|-------|------------------------------|--------|
| Length: | cm 62 | Max Extension Length: | cm 100 |
| Width: | cm 18 | Impact Resistance: | N/A |
| Height: | cm 62 | Glow Wire Test: | 650°C |
| Base Length: | cm 18 | | |
| Base Width: | cm 18 | | |

INCLUDED SOURCES

| | | | |
|--------------------------------------|-------|-------------------------------|-------|
| Category: | LED | Color temperature (K): | 3000K |
| Number: | 1 | | |
| Watt: | 6W | | |
| Delivered lumens output (lm): | 288lm | | |
| Type: | 0 | | |
| Class: | A | | |

LUMINAIRE

| | | | |
|--------------|------|--------------------------------------|-------|
| Watt: | 7,5W | Delivered lumens output (lm): | 288lm |
| | | CCT: | 3000K |
| | | CRI: | 80 |

ACCESSORIES

LOTEK TAVOLO
BASE BLU
1737010A



LOTEK TAVOLO
MORSETTO BLU
1738010A