

Logico Mini table Silk gloss/Aluminum gray



IP20     

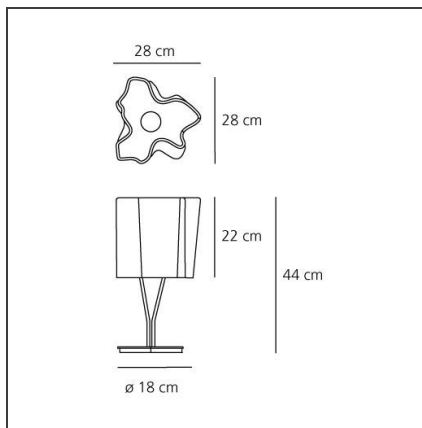
DESIGN BY

Gerhard Reichert, Michele De Lucchi

DESCRIPTION

Materials: Chromed zinc-alloy base, chrome-plated steel structure; blown glass diffuser with polished-silk finish. Three layers blown glass (crystal + silk + crystal) in a mold which is upside down to assure structural consistence to glass. Logico tavolo and Logico tavolo mini have a touch dimmer to adjust the light intensity.

TECHNICAL DRAWINGS



FEATURES

Article Code:	0700020A	Material:	blown glass, steel, zamak
Colour:	Silk gloss / Aluminum gray	Series:	Design
Installation:	Table	Area contract:	Hospitality, Office
Environment:	Indoor	Emission:	Diffused And Direct

DIMENSIONS

Length:	cm 28	Impact Resistance:	N/D
Width:	cm 28	Glow Wire Test:	N/D
Height:	cm 44		
Base Diameter:	cm 18		

NOT INCLUDED SOURCES

Category:	HALO
Number:	3
Watt:	30W
Lbs:	D45
Socket:	E14

ALTERNATIVE SOURCES

Category:	LED
Number:	3
Watt:	6W
Delivered lumens output (lm):	470lm
Type:	2
Socket:	E14
Class:	A

LUMINAIRE

Watt:	84W	Delivered lumens output (lm):	1035lm
Voltage:	220V-240V	CCT:	2800K

Notes

Equipped with a touch dimmer to adjust the light intensity.