

# Float Circolare Suspension



IP20    

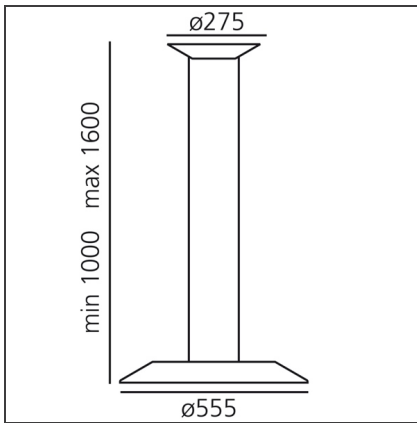
## DESIGN BY

James Irvine

## DESCRIPTION

Base and body in painted aluminium; opaline methacrylate lower diffuser and upper diffuser from transparent polycarbonate. The suspension version is provided with four suspension cables which are both electrical and mechanical support cables.

## TECHNICAL DRAWINGS



## FEATURES

<b>Article Code:</b>	- - -	<b>Material:</b>	Aluminium, methacrylate, polycarbonate
<b>Colour:</b>	White	<b>Series:</b>	Scenarios
<b>Installation:</b>	Suspension, Ceiling	<b>Area contract:</b>	Hospitality, Office
<b>Environment:</b>	Indoor	<b>Emission:</b>	Direct/indirect

## DIMENSIONS

<b>Height:</b>	cm 100	<b>Glow Wire Test:</b>	650°C
<b>Base Diameter:</b>	cm 27.5		
<b>Max Height from ceiling:</b>	cm 160		

## INCLUDED SOURCES

<b>Category:</b>	FLUO	<b>Color Rendering:</b>	1b
<b>Number:</b>	1	<b>Color temperature (K):</b>	3000K
<b>Watt:</b>	55W		
<b>Lbs:</b>	T16-Round		
<b>Socket:</b>	2GX13		

## LUMINAIRE

<b>Power Supply:</b>	Electronic Integrated	<b>Delivered lumens output (lm):</b>	4200lm
<b>Watt:</b>	55W	<b>CCT:</b>	3000K
<b>Voltage:</b>	220V-240V		

## Notes

Lamp included - 3000°K. Available in circular or linear versions. Application of a coloured filter, blue or topaz, to the indirect light emission (Float circolare and Float lineare monotubo only).

**ACCESSORIES**

NO  
IMAGE  
AVAILABLE

FLOAT CIRCOLARE  
FILTRO TOP  
0369040A

NO  
IMAGE  
AVAILABLE

FLOAT CIRCOLARE  
FILTRO BLU  
0369030A