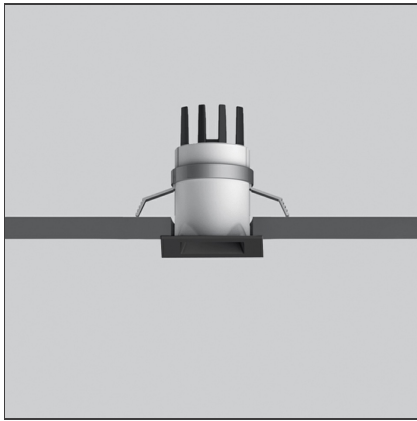


Everything 35 - Square - 24° 3000K - Black



IP20 

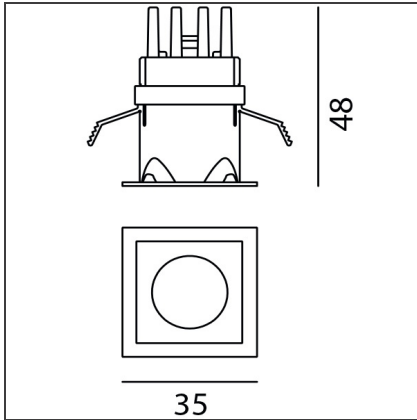
DESIGN BY

Ernesto Gismondi

DESCRIPTION

Everything is an innovative range of professional recessed light fittings created to deliver a high lighting performance, with an eye on energy saving and excellent visual comfort. A complete, flexible product range, extremely versatile in its many applications and able to meet challenging lighting performance criteria.

TECHNICAL DRAWINGS



FEATURES

| | | | |
|----------------------|---------------------------------|----------------|--------|
| Article Code: | NL4203125K004 | Series: | Indoor |
| Colour: | Black | | |
| Installation: | Projector, Recessed, Ceiling | | |

DIMENSIONS

| | | | |
|------------------------|--------|-----------------------|---------|
| Length: | cm 3.5 | Cutout Width: | cm 2.9 |
| Width: | cm 3.5 | Cutout length: | cm 2.9 |
| Weight: | kg 0.1 | Cutout shape: | Squared |
| Recessed depth: | cm 4.8 | | |

INCLUDED SOURCES

| | | | |
|--------------------------------------|-------|-------------------------------|------------------|
| Category: | LED | Color temperature (K): | 3000K |
| Number: | 1 | Color Tolerance: | 4SDCM |
| Watt: | 1,4W | CRI: | 80 |
| Delivered lumens output (lm): | 126lm | Efficacy: | 90lm/W |
| Type: | 0 | Service Life: | L70(6K) > 39000h |
| Class: | A | | |
| Beam: | Beam: | | |

LUMINAIRE

| | | | |
|--------------|------|--------------------------------------|-----------|
| Watt: | 1,4W | Delivered lumens output (lm): | 93lm |
| | | CCT: | 3000K |
| | | Efficiency: | 78% |
| | | Efficacy: | 98.00lm/W |
| | | CRI: | 90 |

ACCESSORIES

NO
IMAGE
AVAILABLE

DRIVER cc 16W
350mA 220-240
156 52 26 1max
DALI
dimmable/Push
dali
M077401

NO
IMAGE
AVAILABLE

ALIMENT. 8W
500mA (INDIP.)
SLIM
NL19041