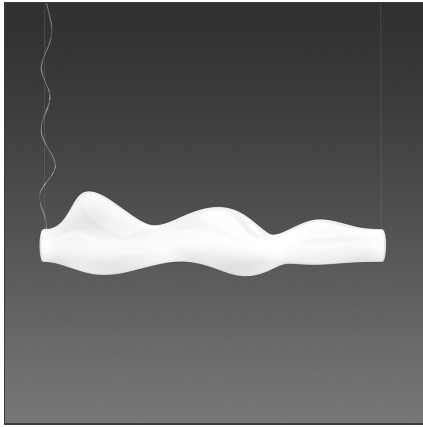


# Empirico Suspension



IP20    Dimmerable: 

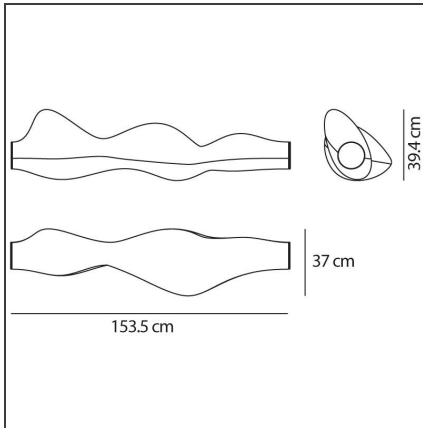
## DESIGN BY

Karim Rashid

## DESCRIPTION

Suspension lamp. Materials: structure in painted aluminium, diffuser in rotationally moulded polyethylene, opal glossy finish.

## TECHNICAL DRAWINGS



## FEATURES

<b>Article Code:</b>	- - -	<b>Material:</b>	Technopolymer, aluminum
<b>Colour:</b>	White	<b>Series:</b>	Scenarios
<b>Installation:</b>	Suspension	<b>Emission:</b>	Diffused
<b>Environment:</b>	Indoor		

## DIMENSIONS

<b>Length:</b>	cm 153	<b>Glow Wire Test:</b>	750°C
<b>Width:</b>	cm 37		
<b>Max Extension Height:</b>	cm 200		

## INCLUDED SOURCES

<b>Category:</b>	FLUO	<b>Color temperature (K):</b>	4000K
<b>Number:</b>	2		
<b>Watt:</b>	35W		
<b>Lbs:</b>	T5		
<b>Socket:</b>	G5		

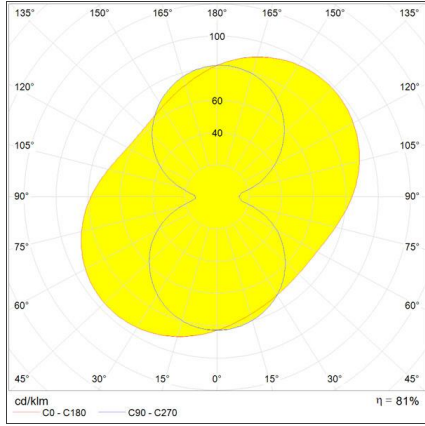
## LUMINAIRE

<b>Power Supply:</b>	Electronic Integrated	<b>Delivered lumens output (lm):</b>	6600lm
<b>Watt:</b>	70W	<b>CCT:</b>	4000K
<b>Voltage:</b>	220-240V		

## Notes

Single elements could be joined to create a system with different possible configurations.

**LIGHT DISTRIBUTION**



We reserve the right to change our product specifications.  
Please visit [www.artemide.com](http://www.artemide.com) for the latest product information

March 2019