

# Ego 90 walk-over aluminium 24° 3000K Square



IP 65/67

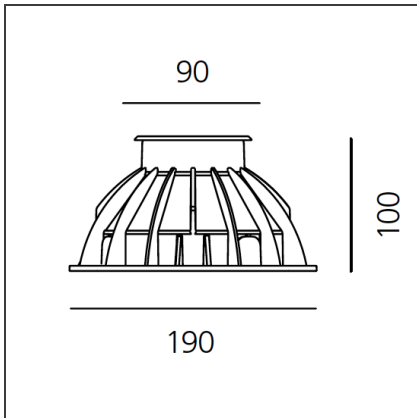
## DESIGN BY

Studio Artemide

## DESCRIPTION

Light fixture with high-performance LED light sources. Recessed floor installation. Walk-over version. Housing depths: Ego WO: 110mm - 120mm, Ego Flat WO: 60mm. Round and square version in five sizes. Consists of body, frame, black silkscreened tempered glass, recessing box. Body in EN AB44100 aluminium, silicone gaskets. Three colour options: with aluminium (only in the 50mm and 90mm size), stainless steel or black silkscreened tempered glass frame, 8mm thick, flush floor-mounting Recessing box for laying in reinforced polymer, can be ordered separately. Ego Flat WO- Feeding cable H05RN-F, with 300cm length for EGO 55 & EGO 90, 20cm for EGO 150, 30cm for EGO 220. Power connection to the mains by means of remote ballast and IP68 electrical terminal board, supplied with the fixture. Fixing to the recessing box is ensured by means of anti-vandal screws TORX, AISI 316. Glass surface temperature lower than 40°C. Fixed or adjustable optics. PMMA lenses in 3 different versions of beams. White monochromatic LEDs available in 2 colour temperatures: Warm = 3000K Neutral = 4000K Screws in stainless steel AISI 316. Painted die-cast aluminium with 3-stage outdoor treatment: nanotechnologies, antioxidant primer, polyester paint. Technical features of light fixtures in compliance with EN60598-1 and part 2-13. IP Rating IP65 IP67. Insulation class: Ego WO: class I. Ego Flat WO: class III. Installation must be carried out by specialized personnel. Carefully follow the instructions.

## TECHNICAL DRAWINGS



## FEATURES

<b>Article Code:</b>	T4004FLW00	<b>Series:</b>	Outdoor
<b>Installation:</b>	Recessed		

## DIMENSIONS

<b>Length:</b>	cm 19	<b>Cutout diameter:</b>	cm 19
<b>Width:</b>	cm 19	<b>Cutout shape:</b>	Squared
<b>Recessed depth:</b>	cm 10	<b>Impact Resistance:</b>	IK10

## INCLUDED SOURCES

<b>Category:</b>	LED	<b>Color temperature (K):</b>	3000K
<b>Number:</b>	1	<b>Color Tolerance:</b>	MacAdam 4SDCM
<b>Watt:</b>	3W	<b>CRI:</b>	80
<b>Delivered lumens output (lm):</b>	233lm	<b>Efficacy:</b>	73lm/W
<b>Type:</b>	0	<b>Service Life:</b>	L70(10K) > 60500h
<b>Class:</b>	A		

## LUMINAIRE

<b>Power Supply:</b>	Electronic unintegrated	<b>Delivered lumens output (lm):</b>	179lm
<b>Watt:</b>	3.5W	<b>CCT:</b>	3000K
		<b>Efficiency:</b>	100%
		<b>Efficacy:</b>	51.14lm/W
		<b>CRI:</b>	80

## Notes

Flood opticWide luminous flow suitable for lighting large areas.

**ACCESSORIES**

NO  
IMAGE  
AVAILABLE

DRIVER 25W 24V  
DC  
T409996

NO  
IMAGE  
AVAILABLE

DRIVER 90W 24V  
DC  
T409999

NO  
IMAGE  
AVAILABLE

Recessing box  
T409907

NO  
IMAGE  
AVAILABLE

DRIVER 60W 24V  
DC  
T409998