

Ego 90 Flat walk-over aluminium 10° 3000K Square



IP 65/67

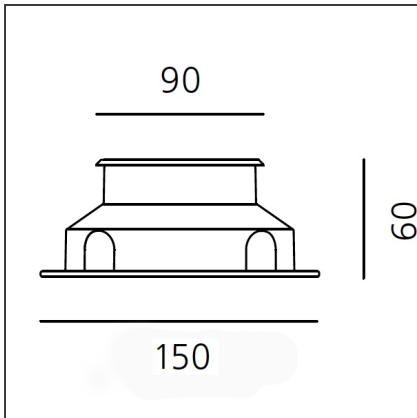
DESIGN BY

Studio Artemide

DESCRIPTION

Light fixture with high-performance LED light sources. Recessed floor installation. Walk-over version. Housing depths: Ego WO: 110mm - 120mm, Ego Flat WO: 60mm. Round and square version in five sizes. Consists of body, frame, black silkscreened tempered glass, recessing box. Body in EN AB44100 aluminium, silicone gaskets. Three colour options: with aluminium (only in the 50mm and 90mm size), stainless steel or black silkscreened tempered glass frame, 8mm thick, flush floor-mounting Recessing box for laying in reinforced polymer, can be ordered separately. Ego Flat WO- Feeding cable H05RN-F, with 300cm length for EGO 55 & EGO 90, 20cm for EGO 150, 30cm for EGO 220. Power connection to the mains by means of remote ballast and IP68 electrical terminal board, supplied with the fixture. Fixing to the recessing box is ensured by means of anti-vandal screws TORX, AISI 316. Glass surface temperature lower than 40°C. Fixed or adjustable optics. PMMA lenses in 3 different versions of beams. White monochromatic LEDs available in 2 colour temperatures: Warm = 3000K Neutral = 4000K Screws in stainless steel AISI 316. Painted die-cast aluminium with 3-stage outdoor treatment: nanotechnologies, antioxidant primer, polyester paint. Technical features of light fixtures in compliance with EN60598-1 and part 2-13. IP Rating IP65 IP67. Insulation class: Ego WO: class I. Ego Flat WO: class III. Installation must be carried out by specialized personnel. Carefully follow the instructions.

TECHNICAL DRAWINGS



FEATURES

Article Code:	T40005SPW00	Series:	Outdoor
Installation:	Recessed		

DIMENSIONS

Base Length:	cm 15	Cutout shape:	Squared
Base Width:	cm 15	Impact Resistance:	IK09
Recessed depth:	cm 6		

INCLUDED SOURCES

Category:	LED	Color temperature (K):	3000K
Number:	1	Color Tolerance:	MacAdam 4SDCM
Watt:	3W	CRI:	80
Delivered lumens output (lm):	233lm	Efficacy:	73lm/W
Type:	0	Service Life:	L70(10K) > 60500h
Class:	A		

LUMINAIRE

Power Supply:	Electronic unintegrated	Delivered lumens output (lm):	220lm
Watt:	3.2W	CCT:	3000K
		Efficiency:	100%
		Efficacy:	68.84lm/W
		CRI:	80

Notes

Flood opticWide luminous flow suitable for lighting large areas.

ACCESSORIES

NO
IMAGE
AVAILABLE

ALIMENT. 11,2W
350mA IP67
NL19019

NO
IMAGE
AVAILABLE

CONTROCASSA
EGO 90
NL40022H0

NO
IMAGE
AVAILABLE

ALIMENT. 5W
350mA IP67
NL11022