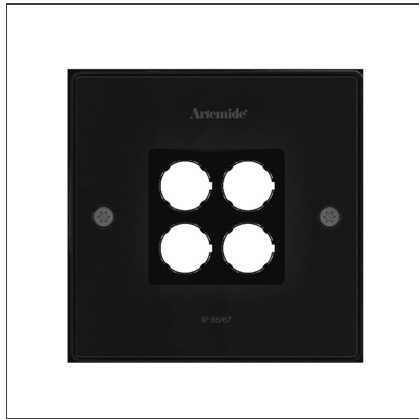


Ego 150 Flat downlight Square 38° 3000K



IP 65/67

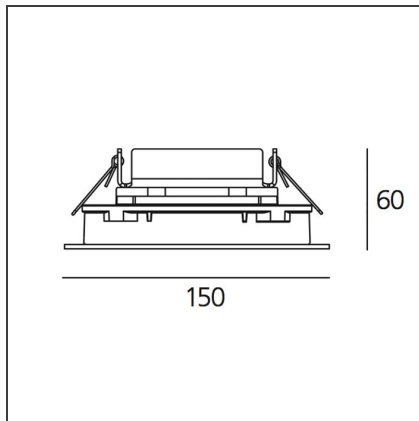
DESIGN BY

Studio Artemide

DESCRIPTION

Light fixture with high-performance LED light sources. Ceiling installation. Two different housing depths. Round and square version in five sizes. Consists of body, frame, black silkscreened tempered glass, fixing springs. Body in EN AB44100 aluminium, silicone gaskets. Frame in aluminium or stainless steel AISI 316. Black silkscreened tempered glass, 8mm-thick. Fixing springs in harmonic iron. Power connection to the mains by means of a H05RN-r cabl and IP68 electrical terminal board, supplied with the fixture. Glass surface temperature lower than 40°C. Fixed or adjustable optics. PMMA lenses in 3 different versions of beams. White monochromatic LEDs available in 2 colour temperatures Warm = 3000K Neutral = 4000K Painted die-cast aluminium with 3-stage outdoortreatment: nanotechnologies, anti-oxidant primer, polyester paint. Technical features of light fixtures in compliance with EN60598-1 and part 2-13. IP Rating IP65. Insulation class III. Installation must be carried out by specialized personnel. Carefully follow the instructions.

TECHNICAL DRAWINGS



FEATURES

Article Code:	T42018WFLW00	Series:	Outdoor
Installation:	Recessed		

DIMENSIONS

Base Length:	cm 15	Cutout diameter:	cm 13.5
Base Width:	cm 15	Cutout shape:	Squared
Recessed depth:	cm 6	Impact Resistance:	IK10

INCLUDED SOURCES

Category:	LED	Color temperature (K):	3000K
Number:	1		
Watt:	6W		
Delivered lumens output (lm):	366lm		
Type:	0		
Class:	A		

LUMINAIRE

Watt:	6.3W	Delivered lumens output (lm):	321lm
		CCT:	3000K
		Efficiency:	100%
		Efficacy:	50.95lm/W
		CRI:	80

Notes

Flood opticWide luminous flow suitable for lighting large areas.

ACCESSORIES

NO
IMAGE
AVAILABLE

ALIMENT. 13,5W
500mA IP67
NL19046

NO
IMAGE
AVAILABLE

ALIMENT. 20W
500mA IP67
NL19047