

Ego 150 downlight Round 38° 3000K Aluminium IK09



IP 65/67

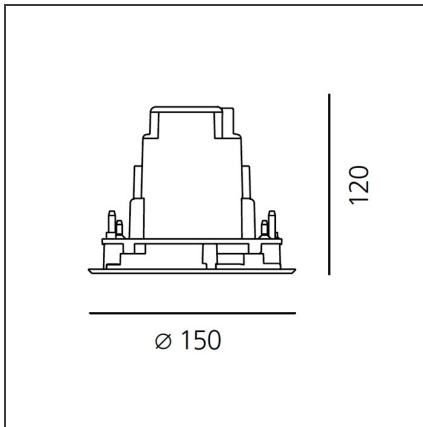
DESIGN BY

Studio Artemide

DESCRIPTION

Light fixture with high-performance LED light sources. Ceiling installation. Two different housing depths. Round and square version in five sizes. Consists of body, frame, black silkscreened tempered glass, fixing springs. Body in EN AB44100 aluminium, silicone gaskets. Frame in aluminium or stainless steel AISI 316. Black silkscreened tempered glass, 8mm-thick. Fixing springs in harmonic iron. Power connection to the mains by means of a H05RN-r cabl and IP68 electrical terminal board, supplied with the fixture. Glass surface temperature lower than 40°C. Fixed or adjustable optics. PMMA lenses in 3 different versions of beams. White monochromatic LEDs available in 2 colour temperatures Warm = 3000K Neutral = 4000K Painted die-cast aluminium with 3-stage outdoortreatment: nanotechnologies, anti-oxidant primer, polyester paint. Technical features of light fixtures in compliance with EN60598-1 and part 2-13. IP Rating IP65. Insulation class III. Installation must be carried out by specialized personnel. Carefully follow the instructions.

TECHNICAL DRAWINGS



FEATURES

Article Code:	T4085WFLW00	Series:	Outdoor
Installation:	Recessed		

DIMENSIONS

Recessed depth:	cm 12	Cutout shape:	Rounded
		Impact Resistance:	IK10

INCLUDED SOURCES

Category:	LED	Color temperature (K):	3000K
Number:	1	Color Tolerance:	MacAdam 4SDCM
Watt:	8W	CRI:	80
Wattage (Single):	2W	Efficacy:	64lm/W
Delivered lumens output (lm):	382lm	Service Life:	L70(10K) > 60500h
Type:	0		
Class:	A		

LUMINAIRE

Power Supply:	electronic power supply included	Delivered lumens output (lm):	321lm
Watt:	8W	CCT:	3000K
		Efficiency:	100%
		Efficacy:	40.12lm/W
		CRI:	80

Notes

Flood opticWide luminous flow suitable for lighting large areas.