

Eclisse Red



IP20     

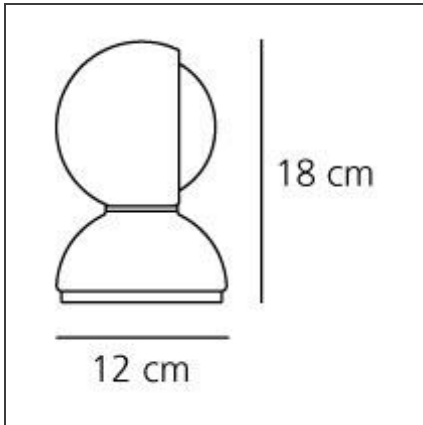
DESIGN BY

Vico Magistretti

DESCRIPTION

Eclisse, designed by Vico Magistretti in 1965, won the Compasso d'Oro Award in 1967 and become ambassador of Italian design worldwide. Eclisse is an avant-garde balance between form and function, design and utility. The concept's foundation lies in its functionality of adjusting the intensity of light through its rotating inner shade that "eclipses" the light source. In fact, with a fixed outer shell and a moveable inner shell the lamp can provide direct or diffuse light. A table lamp, it can also be wall mounted. Painted metal body available in white, red or orange with an on/off switch. Eclisse in part of the permanent collection of the most important design Museums, amongst many the MoMa in New York and the Triennale Design Museum in Milan.

TECHNICAL DRAWINGS



FEATURES

Article Code:	0028030A	Material:	steel, technopolymer
Colour:	Red	Series:	Design, Modern
Installation:	Table		Classic
Environment:	Indoor	Area contract:	Residential
		Emission:	Diffused And Direct

DIMENSIONS

Height:	cm 18	Impact Resistance:	N/D
Base Diameter:	cm 12	Glow Wire Test:	850

NOT INCLUDED SOURCES

Category:	HALO	Class:	A
Number:	1		
Watt:	25W		
Socket:	E14		

LUMINAIRE

Watt:	25W	Delivered lumens output (lm):	170lm
Voltage:	220V-240V	CCT:	2800K