

Demetra Led grey wall - Body 2700K



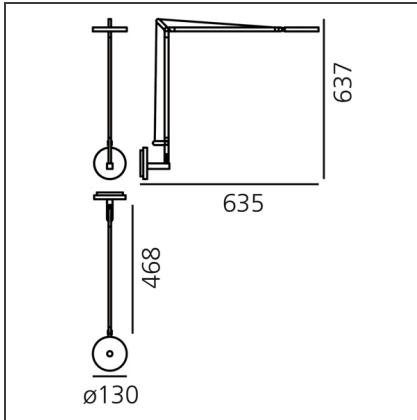
IP20

Dimmerable: + -

DESIGN BY

Naoto Fukasawa

TECHNICAL DRAWINGS



FEATURES

| | | | |
|----------------------|-----------------|------------------|--------------------------|
| Article Code: | 1734W10A | Material: | Aluminium, technopolymer |
| Colour: | Grey anthracite | Series: | Design |
| Installation: | Wall | | |

DIMENSIONS

| | | | |
|----------------|---------|---------------------------|------|
| Length: | cm 63.5 | Impact Resistance: | N.D. |
| Height: | cm 63.7 | Glow Wire Test: | 650 |

INCLUDED SOURCES

| | | | |
|--------------------------------------|-------|-------------------------------|---------------|
| Category: | LED | Color temperature (K): | 2700K |
| Number: | 1 | Color Tolerance: | MacAdam 2SDCM |
| Watt: | 8W | CRI: | 90 |
| Delivered lumens output (lm): | 730lm | | |
| Type: | 0 | | |
| Class: | A | | |

LUMINAIRE

| | | | |
|-----------------|----------|--------------------------------------|--------------------|
| Watt: | 8W | Delivered lumens output (lm): | 360lm |
| Voltage: | 100-240V | CCT: | 2700K |
| | | Efficiency: | 54% |
| | | Efficacy: | 45.00lm/W |
| | | CRI: | 90 |
| | | Dimmer Typology: | Microswitch Dimmer |

ACCESSORIES



DEMETRA
SUPPORTO W GRO
1742010A