

Demetra Led black wall - Body 2700K



IP20

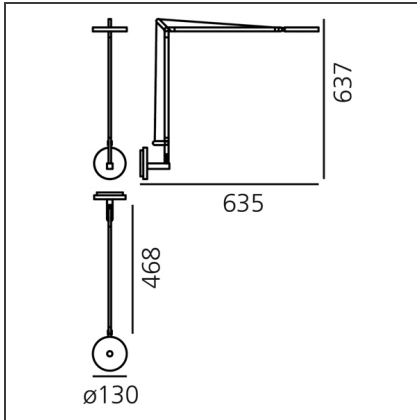
Dimmerable: + -

DESIGN BY

Naoto Fukasawa

DESCRIPTION

TECHNICAL DRAWINGS



FEATURES

Article Code:	1734W50A	Material:	Aluminium, technopolymer
Colour:	Opaque Black	Series:	Design
Installation:	Wall		

DIMENSIONS

Length:	cm 63.5	Impact Resistance:	N.D.
Height:	cm 63.7	Glow Wire Test:	650

INCLUDED SOURCES

Category:	LED	Color temperature (K):	2700K
Number:	1	Color Tolerance:	MacAdam 2SDCM
Watt:	8W	CRI:	90
Delivered lumens output (lm):	730lm		
Type:	0		
Class:	A		

LUMINAIRE

Watt:	8W	Delivered lumens output (lm):	360lm
Voltage:	100V-240V	CCT:	2700K
		Efficiency:	54%
		Efficacy:	45.00lm/W
		CRI:	90
		Dimmer Typology:	Microswitch Dimmer

ACCESSORIES



Demetra Supporto
W NRO
1742040A