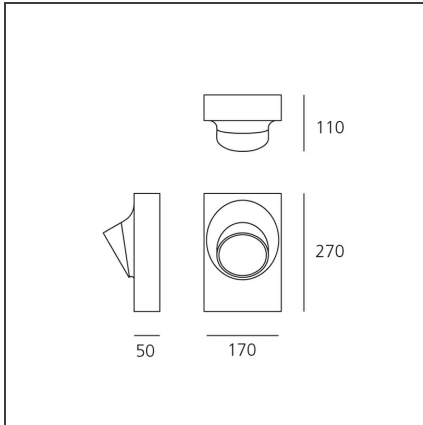


Ciclope Wall Rust



IP65    

TECHNICAL DRAWINGS



DESIGN BY

Alessandro Pedretti

DESCRIPTION

Lighting system with diffuse unilateral or bilateral emission, with high-performance LED light sources. Light emission is obtained by the combination of six monochromatic LED light sources, a reflector and an opaline diffuser. Floor, wall or recessed installation. Available in two finishes: light grey and rust painted.

FEATURES

| | | | |
|----------------------|--------------------------------|-----------------------|---|
| Article Code: | T081210 | Material: | Composite technopolymer, polycarbonate, steel, aluminum |
| Colour: | Rust | Series: | Outdoor |
| Installation: | Bollard, Recessed, Floor, Wall | Area contract: | null, Outdoor, Residential |
| Environment: | Outdoor | Emission: | Direct |

DIMENSIONS

| | |
|----------------|-------|
| Length: | cm 17 |
| Width: | cm 11 |
| Height: | cm 27 |

INCLUDED SOURCES

| | | | |
|------------------|------|-------------------------------|-------|
| Category: | LED | Color temperature (K): | 3000K |
| Number: | 1 | CRI: | 80 |
| Watt: | 6,5W | | |
| Type: | 0 | | |
| Class: | A | | |

LUMINAIRE

| | | | |
|----------------------|------------|--------------------------------------|-----------|
| Power Supply: | Electronic | Delivered lumens output (lm): | 284lm |
| Watt: | 6,5W | CCT: | 3000K |
| Voltage: | 220-240V | Efficiency: | 100% |
| | | Efficacy: | 47.33lm/W |
| | | CRI: | 80 |