

## Ciclope Floor 90 Bilaterale Gray/white



IP65   

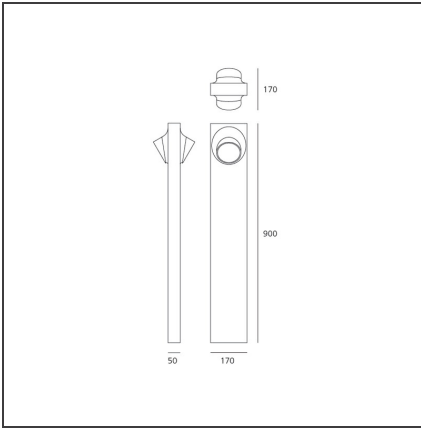
### DESIGN BY

Alessandro Pedretti

### DESCRIPTION

Lighting system with diffuse unilateral or bilateral emission, with high-performance LED light sources. Light emission is obtained by the combination of six monochromatic LED light sources, a reflector and an opaline diffuser. Floor, wall or recessed installation. Available in two finishes: light grey and rust painted.

### TECHNICAL DRAWINGS



### FEATURES

<b>Article Code:</b>	T081400	<b>Material:</b>	Composite technopolymer, polycarbonate, steel, aluminum
<b>Colour:</b>	Gray/white	<b>Series:</b>	Outdoor
<b>Installation:</b>	Bollard, Recessed, Floor, Wall	<b>Area contract:</b>	null, Outdoor, Residential
<b>Environment:</b>	Outdoor	<b>Emission:</b>	Direct

### DIMENSIONS

<b>Length:</b>	cm 17
<b>Width:</b>	cm 17
<b>Height:</b>	cm 90

### INCLUDED SOURCES

<b>Category:</b>	LED	<b>Color temperature (K):</b>	3000K
<b>Number:</b>	2	<b>CRI:</b>	80
<b>Watt:</b>	6,5W		
<b>Type:</b>	0		
<b>Class:</b>	A		

### LUMINAIRE

<b>Power Supply:</b>	Electronic	<b>Delivered lumens output (lm):</b>	568lm
<b>Watt:</b>	13W	<b>CCT:</b>	3000K
<b>Voltage:</b>	220-240V	<b>Efficiency:</b>	100%
		<b>Efficacy:</b>	43.69lm/W
		<b>CRI:</b>	80