

Ciclope Floor 50 Bilaterale Rust



IP65   

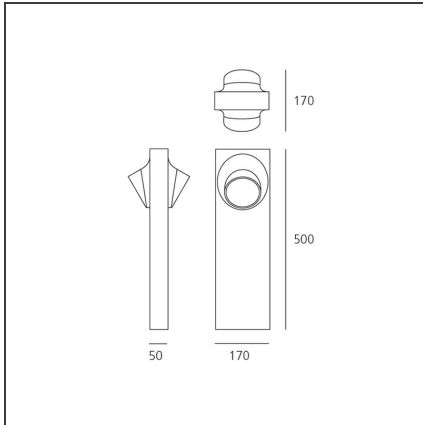
DESIGN BY

Alessandro Pedretti

DESCRIPTION

Lighting system with diffuse unilateral or bilateral emission, with high-performance LED light sources. Light emission is obtained by the combination of six monochromatic LED light sources, a reflector and an opaline diffuser. Floor, wall or recessed installation. Available in two finishes: light grey and rust painted.

TECHNICAL DRAWINGS



FEATURES

Article Code:	T081310	Material:	Composite technopolymer, polycarbonate, steel, aluminum
Colour:	Rust	Series:	Outdoor
Installation:	Bollard, Recessed, Floor, Wall	Area contract:	null, Outdoor, Residential
Environment:	Outdoor	Emission:	Direct

DIMENSIONS

Length:	cm 17
Width:	cm 17
Height:	cm 50

INCLUDED SOURCES

Category:	LED	Color temperature (K):	3000K
Number:	2	CRI:	80
Watt:	6,5W		
Type:	0		
Class:	A		

LUMINAIRE

Power Supply:	Electronic	Delivered lumens output (lm):	568lm
Watt:	13W	CCT:	3000K
Voltage:	220-240V	Efficiency:	100%
		Efficacy:	43.69lm/W
		CRI:	80