


Choose Wall IP23 - White



IP23      
 Dimmerable: +  -

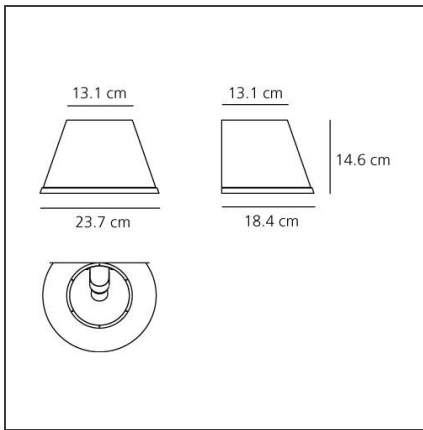
DESIGN BY

Matteo Thun

DESCRIPTION

The design of the transparent antistatic polycarbonate diffuser is embellished with vertical internal slits, which, as well as giving it greater aesthetic value, also allow a better light diffusion. The diffuser is covered by parchment paper; grey painted metal structure.

TECHNICAL DRAWINGS



FEATURES

<b>Article Code:</b>	1142110A	<b>Material:</b>	polycarbonate, parchment
<b>Colour:</b>	Transparent + Natural	<b>Series:</b>	Design, Scenarios
<b>Installation:</b>	Table, Floor, Wall, Suspension	<b>Area contract:</b>	Hospitality
<b>Environment:</b>	Indoor	<b>Emission:</b>	Direct Spot

DIMENSIONS

<b>Width:</b>	cm 23.7	<b>Impact Resistance:</b>	N/D
<b>Height:</b>	cm 14.6	<b>Glow Wire Test:</b>	750
<b>Depth:</b>	cm 18.4		

NOT INCLUDED SOURCES

<b>Category:</b>	HALO	<b>Color Rendering:</b>	1a
<b>Number:</b>	1	<b>Color temperature (K):</b>	2800K
<b>Watt:</b>	46W		
<b>Lbs:</b>	Qt26		
<b>Socket:</b>	E14		

ALTERNATIVE SOURCES

<b>Category:</b>	LED
<b>Number:</b>	1
<b>Watt:</b>	6W
<b>Delivered lumens output (lm):</b>	470lm
<b>Type:</b>	2
<b>Socket:</b>	E14
<b>Class:</b>	A

LUMINAIRE

<b>Watt:</b>	46W	<b>Delivered lumens output (lm):</b>	630lm
<b>Voltage:</b>	220V-240V	<b>CCT:</b>	3000K

Notes

On/off switch on body lamp.