

Cata Track Stable White - 30W - 3000K + Lens 9°



IP20  Dimmerable: 

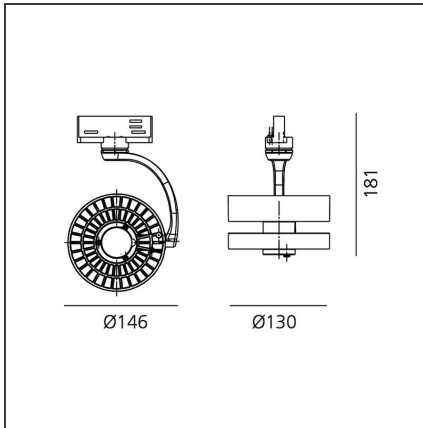
DESIGN BY

Carlotta de Bevilacqua

DESCRIPTION

Interchangeable optical unit through a 'twist & lock' mechanism. Defined, concentrated light beams thanks to an innovative collimation system. 2 beam angles: 2x3,5°, 2x8°. Excellent quality of light: Cata Tuneable White: adjustable colour temperature from 2700K to 5700K CRI >93 (min.) Cata Stable White: available as warm white (3000K) and neutral white (4000K) – CRI=80 (min.). Rotation of 360°, tilt angle of +90°/-90° 2 installation options: with adaptor for 3-circuit track, or base plate for ceiling mounting. Ultra-flat power source (8mm height): DALI dimmable as standard, DALI8 interface hub for Tuneable White version. Materials : optic in transparent and metallic polycarbonate, heat sink in die-cast gloss aluminium, feeder/power supply in transparent polycarbonate, arm in die-cast gloss aluminium. Complies with standard EN60598-

TECHNICAL DRAWINGS



FEATURES

| | | | |
|----------------------|----------------------------|------------------|------------------|
| Article Code: | M057383 M057500 | Material: | Aluminium, glass |
| Colour: | Polished aluminium | Series: | Indoor |
| Installation: | Track, Suspension, Ceiling | | |

DIMENSIONS

| | | | |
|---------------------|---------|---------------------------|------|
| Height: | cm 18.1 | Impact Resistance: | 850° |
| Weight: | kg 0.7 | | |
| Inclination: | -90+90 | | |
| Rotation: | cm 360 | | |

INCLUDED SOURCES

| | | | |
|------------------|-----|-------------------------------|----------------|
| Category: | LED | Color temperature (K): | 3000K |
| Number: | 1 | Color Tolerance: | MacAdam 3SDCM |
| Watt: | 30W | CRI: | =80 (min.) |
| Type: | 0 | Service Life: | L70(6K)>36000h |
| Class: | A | | |

LUMINAIRE

| | | | |
|--------------|-----|--------------------------------------|-----------|
| Watt: | 30W | Delivered lumens output (lm): | 1125lm |
| | | CCT: | 3000K |
| | | Efficiency: | 44% |
| | | Efficacy: | 37.49lm/W |
| | | CRI: | 80 |

Notes

If there is no DALI-SwitchDim bus, the luminaire can be dimmed using the button on the device