

## Cata TIR Track - 3000K + Lens 56°



IP20  Dimmerable: 

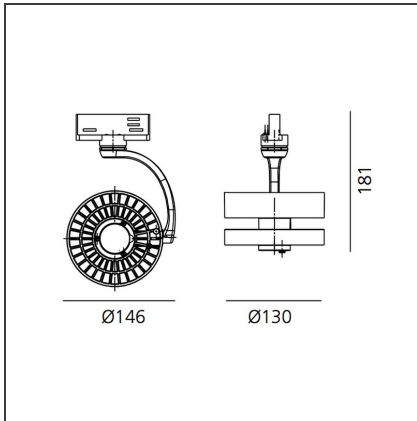
### DESIGN BY

Carlotta de Bevilacqua

### DESCRIPTION

Interchangeable optical unit through a 'twist & lock' mechanism. Defined, concentrated light beams thanks to an innovative collimation system. 2 beam angles: 2x3,5°, 2x8°. Excellent quality of light: Cata Tuneable White: adjustable colour temperature from 2700K to 5700K CRI >93 (min.) Cata Stable White: available as warm white (3000K) and neutral white (4000K) – CRI=80 (min.). Rotation of 360°, tilt angle of +90°/-90° 2 installation options: with adaptor for 3-circuit track, or base plate for ceiling mounting. Ultra-flat power source (8mm height): DALI dimmable as standard, DALI8 interface hub for Tuneable White version. Materials : optic in transparent and metallic polycarbonate, heat sink in die-cast gloss aluminium, feeder/power supply in transparent polycarbonate, arm in die-cast gloss aluminium. Complies with standard EN60598-

### TECHNICAL DRAWINGS



### FEATURES

|                      |                            |                |        |
|----------------------|----------------------------|----------------|--------|
| <b>Article Code:</b> | M0569W83 M109800           | <b>Series:</b> | Indoor |
| <b>Colour:</b>       | Polished aluminium         |                |        |
| <b>Installation:</b> | Track, Suspension, Ceiling |                |        |

### DIMENSIONS

|                       |         |
|-----------------------|---------|
| <b>Height:</b>        | cm 18.1 |
| <b>Weight:</b>        | kg 0.8  |
| <b>Base Diameter:</b> | cm 13   |
| <b>Inclination:</b>   | -90+90  |
| <b>Rotation:</b>      | cm 360  |

### INCLUDED SOURCES

|                  |     |                               |                |
|------------------|-----|-------------------------------|----------------|
| <b>Category:</b> | LED | <b>Color temperature (K):</b> | 3000K          |
| <b>Number:</b>   | 1   | <b>Color Tolerance:</b>       | MacAdam 2SDCM  |
| <b>Watt:</b>     | 22W | <b>CRI:</b>                   | 90             |
| <b>Type:</b>     | 0   | <b>Service Life:</b>          | L70(6K) 36000h |
| <b>Class:</b>    | A   |                               |                |

### LUMINAIRE

|              |     |                                      |           |
|--------------|-----|--------------------------------------|-----------|
| <b>Watt:</b> | 22W | <b>Delivered lumens output (lm):</b> | 1663lm    |
|              |     | <b>CCT:</b>                          | 3000K     |
|              |     | <b>Efficiency:</b>                   | 92%       |
|              |     | <b>Efficacy:</b>                     | 75.58lm/W |
|              |     | <b>CRI:</b>                          | 90        |

### Notes

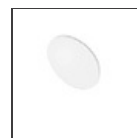
If there is no DALI-SwitchDim bus, the luminaire can be dimmed using the button on the device

**ACCESSORIES**

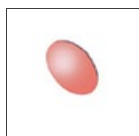
Accessories holder  
M057080



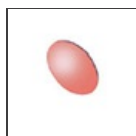
Adjustable  
dowsers  
M059910



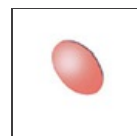
Lens for elliptical  
emission  
M282007



Chromatic filter  
yellow  
M281745



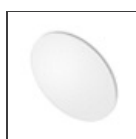
Chromatic filter  
red  
M281755



Chromatic filter  
blue  
M281735



Anti-dazzle louvre  
M282100



Soft filter  
M056807