

Cata Ceiling Tunable White



IP20  Dimmerable: +  -

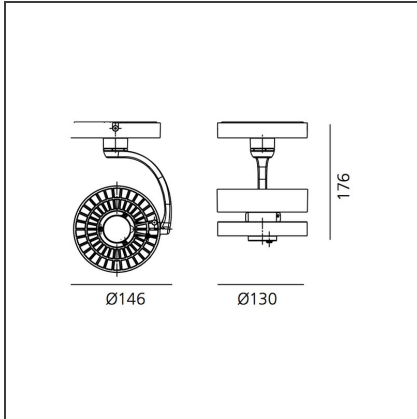
DESIGN BY

Carlotta de Bevilacqua

DESCRIPTION

Interchangeable optical unit through a 'twist & lock' mechanism. Defined, concentrated light beams thanks to an innovative collimation system. 2 beam angles: 2x3,5°, 2x8°. Excellent quality of light: Cata Tuneable White: adjustable colour temperature from 2700K to 5700K CRI >93 (min.) Cata Stable White: available as warm white (3000K) and neutral white (4000K) – CRI=80 (min.). Rotation of 360°, tilt angle of +90°/-90° 2 installation options: with adaptor for 3-circuit track, or base plate for ceiling mounting. Ultra-flat power source (8mm height): DALI dimmable as standard, DALI8 interface hub for Tuneable White version. Materials : optic in transparent and metallic polycarbonate, heat sink in die-cast gloss aluminium, feeder/power supply in transparent polycarbonate, arm in die-cast gloss aluminium. Complies with standard EN60598-

TECHNICAL DRAWINGS



FEATURES

Article Code:	M057781	Series:	Indoor
Colour:	Polished aluminium		
Installation:	Projector, Track, Suspension, Ceiling		
Environment:	Indoor		

DIMENSIONS

Height:	cm 17.6	Glow Wire Test:	850
Weight:	kg 0.8		
Base Diameter:	cm 13		
Inclination:	-90+90		
Rotation:	cm 360		

INCLUDED SOURCES

Category:	LED	Color temperature (K):	2700-5700
Number:	1	Color Tolerance:	MacAdam 2SDCM
Watt:	22W	CRI:	>93 (min.)
Type:	1	Service Life:	L70 (6K) 50000h
Class:	A		

LUMINAIRE

Watt:	22W	Delivered lumens output (lm):	404lm
		CCT:	2700-5700 K
		Efficiency:	61%
		Efficacy:	36 lm/W-39 lm/W
		CRI:	>93
		Dimmable Typology:	Dali

Notes

If there is no DALI-SwitchDim bus, the luminaire can be dimmed using the button on the device

ACCESSORIES

Optical unit 2x12°
M057600



Optical unit 2x6°
M057500



Optical wide 64°
M057800