

# Cata Ceiling Stable White - 30W - 4000K + Lens 9°



IP20  Dimmerable: 

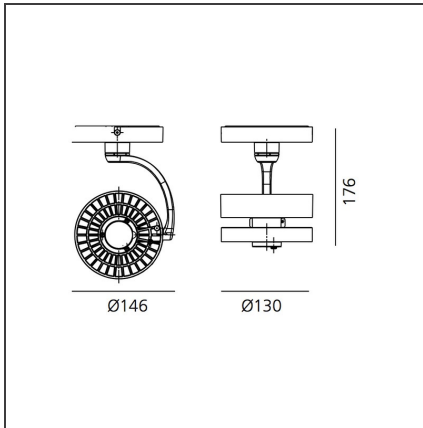
## DESIGN BY

Carlotta de Bevilacqua

## DESCRIPTION

Interchangeable optical unit through a 'twist & lock' mechanism. Defined, concentrated light beams thanks to an innovative collimation system. 2 beam angles: 2x3,5°, 2x8°. Excellent quality of light: Cata Tuneable White: adjustable colour temperature from 2700K to 5700K CRI >93 (min.) Cata Stable White: available as warm white (3000K) and neutral white (4000K) – CRI=80 (min.). Rotation of 360°, tilt angle of +90°/-90° 2 installation options: with adaptor for 3-circuit track, or base plate for ceiling mounting. Ultra-flat power source (8mm height): DALI dimmable as standard, DALI8 interface hub for Tuneable White version. Materials : optic in transparent and metallic polycarbonate, heat sink in die-cast gloss aluminium, feeder/power supply in transparent polycarbonate, arm in die-cast gloss aluminium. Complies with standard EN60598-

## TECHNICAL DRAWINGS



## FEATURES

<b>Article Code:</b>	M057481 M057500	<b>Material:</b>	Aluminium, glass
<b>Colour:</b>	Polished aluminium	<b>Series:</b>	Indoor
<b>Installation:</b>	Track, Suspension, Ceiling		

## DIMENSIONS

<b>Height:</b>	cm 17.6	<b>Impact Resistance:</b>	850°
<b>Weight:</b>	kg 0.7		
<b>Inclination:</b>	-90+90		
<b>Rotation:</b>	cm 360		

## INCLUDED SOURCES

<b>Category:</b>	LED	<b>Color temperature (K):</b>	4000K
<b>Number:</b>	1	<b>Color Tolerance:</b>	MacAdam 3SDCM
<b>Watt:</b>	30W	<b>CRI:</b>	=80 (min.)
<b>Type:</b>	0	<b>Service Life:</b>	L70(6K)>36000h
<b>Class:</b>	A		

## LUMINAIRE

<b>Watt:</b>	30W	<b>Delivered lumens output (lm):</b>	1194lm
		<b>CCT:</b>	4000K
		<b>Efficiency:</b>	44%
		<b>Efficacy:</b>	39.81lm/W
		<b>CRI:</b>	80

## Notes

If there is no DALI-SwitchDim bus, the luminaire can be dimmed using the button on the device