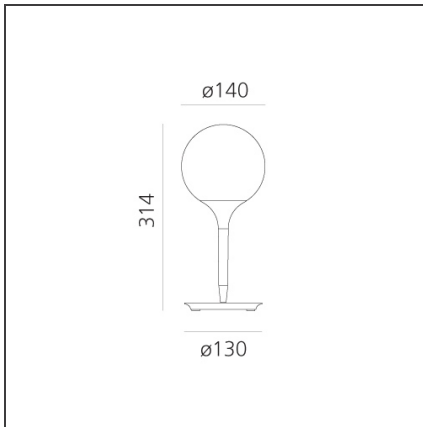


## Castore Table 14 (G9)



IP20    

### TECHNICAL DRAWINGS



### DESIGN BY

Michele De Lucchi, Huub Ubbens

### DESCRIPTION

The spherical diffuser design is enhanced by a removable-fitting and tapering luminous stem, that makes the transition from the strong diffuser light to the blind lamp structure area gentle. Base in zamac, stem in thermoplastic resin, blown glass diffuser.

### FEATURES

<b>Article Code:</b>	1044010A	<b>Material:</b>	Zamak, polycarbonate, blown glass
<b>Colour:</b>	White	<b>Series:</b>	Design
<b>Installation:</b>	Table	<b>Area contract:</b>	Hospitality, Retail, Residential
<b>Environment:</b>	Indoor	<b>Emission:</b>	Diffused

### DIMENSIONS

<b>Height:</b>	cm 31	<b>Glow Wire Test:</b>	750
<b>Base Diameter:</b>	cm 13		

### NOT INCLUDED SOURCES

<b>Category:</b>	HALO	<b>Class:</b>	A
<b>Number:</b>	1		
<b>Watt:</b>	48W		
<b>Socket:</b>	G9		

### ALTERNATIVE SOURCES

<b>Category:</b>	LED
<b>Number:</b>	1
<b>Watt:</b>	2,3W
<b>Delivered lumens output (lm):</b>	200lm
<b>Type:</b>	2
<b>Socket:</b>	G9
<b>Class:</b>	A

### LUMINAIRE

<b>Watt:</b>	48W	<b>Delivered lumens output (lm):</b>	597lm
<b>Voltage:</b>	220V-240V	<b>CCT:</b>	3000K
		<b>Efficiency:</b>	81%
		<b>Efficacy:</b>	12lm/W
		<b>CRI:</b>	99

### Notes

Lamp included. Available in four sizes.