

**Cabildo Wall LED 3000K**



IP20

Dimmerable: + -

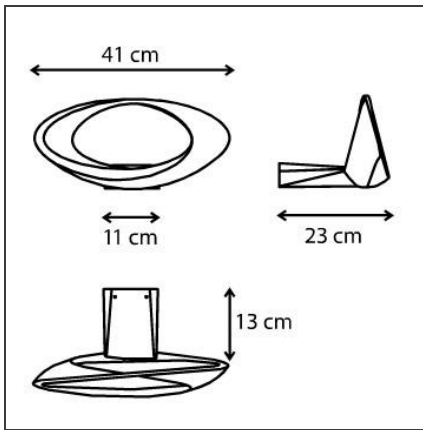
**DESIGN BY**

Eric Solè

**DESCRIPTION**

The indirect light shapes the body lamp, bringing out its winding form and giving it the astonishing appearance of a ring of light. Wall support and body lamp in painted die-cast aluminium.

**TECHNICAL DRAWINGS**



**FEATURES**

<b>Article Code:</b>	1181010A	<b>Material:</b>	Aluminium
<b>Colour:</b>	White	<b>Series:</b>	Design
<b>Installation:</b>	Floor, Wall, Suspension	<b>Area contract:</b>	Residential
<b>Environment:</b>	Indoor	<b>Emission:</b>	Indirect Diffused

**DIMENSIONS**

<b>Length:</b>	cm 20	<b>Glow Wire Test:</b>	750
<b>Width:</b>	cm 41		
<b>Height:</b>	cm 19		

**INCLUDED SOURCES**

<b>Category:</b>	LED	<b>Color Rendering:</b>	90
<b>Number:</b>	1	<b>Color temperature (K):</b>	3000K
<b>Watt:</b>	28 W	<b>Color Tolerance:</b>	MacAdam 2SDCM
<b>Delivered lumens output (lm):</b>	3200lm		
<b>Type:</b>	0		
<b>Class:</b>	A		

**LUMINAIRE**

<b>Watt:</b>	28W	<b>Delivered lumens output (lm):</b>	2137lm
<b>Voltage:</b>	220-240V	<b>CCT:</b>	3000K
		<b>Efficiency:</b>	73%
		<b>Efficacy:</b>	76.32lm/W
		<b>CRI:</b>	90
		<b>Dimmable Typology:</b>	Push

**Notes**

Lamp included.