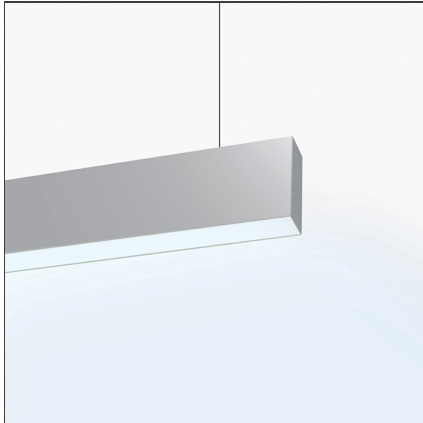


Algoritmo Stand-Alone - Suspension - LED diffused emission - Direct + indirect emission - 62W 4000K Non dimmable - White



IP20

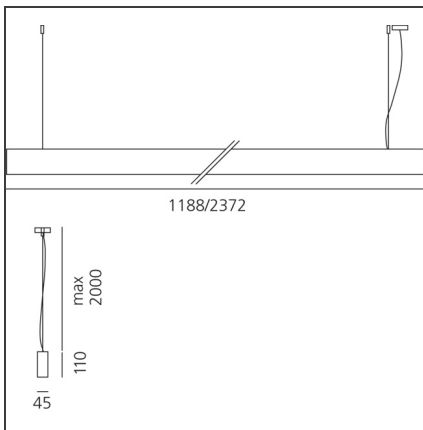
DESIGN BY

Carlotta de Bevilacqua, Paola di Arianello

DESCRIPTION

Series of single units, preconfigured and complete for suspension-mounting, wall-mounting and ceiling-mounting. Body in extruded aluminium, painted white. Two lengths available: 1188 mm and 2372mm. LED version direct emission, diffused: LED monochromatic warm white (3000 K) and neutral white (4000 K). Power supply and light management system included, non dimmable or Dali-SwitchDim. Suspended version direct or double emission. Luminaires come complete with end caps, fixing brackets or suspension cables and optics. Compliant with standard EN60598-1 and other specific standards.

TECHNICAL DRAWINGS



FEATURES

| | | | |
|----------------------|------------|------------------|-----------------------|
| Article Code: | M2911N20 | Material: | Extruded Aluminium |
| Colour: | White | Series: | Indoor |
| Installation: | Suspension | Emission: | Direct/indirect |
| Environment: | Indoor | | Diffused & Dark Light |

DIMENSIONS

| | | | |
|----------------|--------|------------------------|------|
| Length: | cm 118 | Glow Wire Test: | 850° |
| Width: | cm 4.5 | | |
| Height: | cm 11 | | |
| Weight: | kg 3.8 | | |

INCLUDED SOURCES

| | | | |
|------------------|-----|-------------------------------|-----------------|
| Category: | LED | Color temperature (K): | 4000K |
| Number: | 1 | Color Tolerance: | MacAdam 3SDCM |
| Watt: | 62W | Service Life: | L70 (4K) 60500h |
| Type: | 0 | | |
| Class: | A | | |

LUMINAIRE

| | | | |
|--------------|-----|--------------------------------------|-----------|
| Watt: | 62W | Delivered lumens output (lm): | 4645lm |
| | | CCT: | 4000K |
| | | Efficiency: | 59% |
| | | Efficacy: | 74.91lm/W |
| | | CRI: | 80 |

Notes

Upper screen in PMMA included.