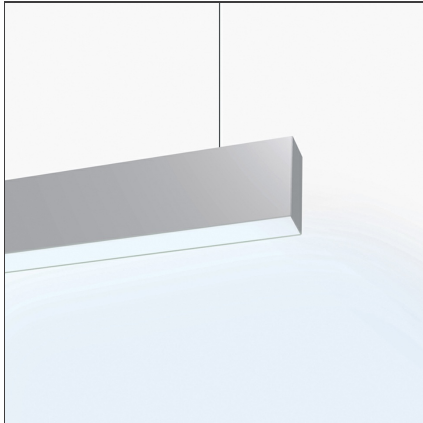


# Algoritmo Stand-Alone - Suspension - LED diffused emission - Direct + indirect emission - 62W 4000K DALI - White



IP20  Dimmerable: 

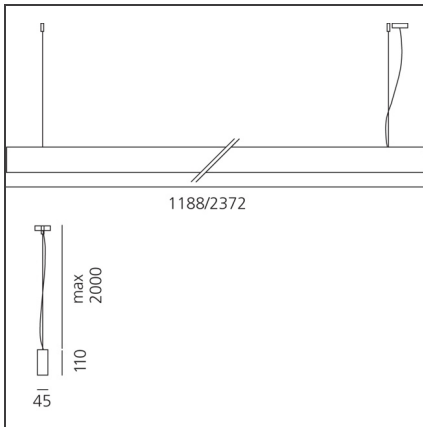
## DESIGN BY

Carlotta de Bevilacqua, Paola di Arianello

## DESCRIPTION

Series of single units, preconfigured and complete for suspension-mounting, wall-mounting and ceiling-mounting. Body in extruded aluminium, painted white. Two lengths available: 1188 mm and 2372mm. LED version direct emission, diffused: LED monochromatic warm white (3000 K) and neutral white (4000 K). Power supply and light management system included, non dimmable or Dali-SwitchDim. Suspended version direct or double emission. Luminaires come complete with end caps, fixing brackets or suspension cables and optics. Compliant with standard EN60598-1 and other specific standards.

## TECHNICAL DRAWINGS



## FEATURES

<b>Article Code:</b>	M2911N21	<b>Material:</b>	Extruded Aluminium
<b>Colour:</b>	White	<b>Series:</b>	Indoor
<b>Installation:</b>	Suspension	<b>Emission:</b>	Direct/indirect
<b>Environment:</b>	Indoor		Diffused & Dark Light

## DIMENSIONS

<b>Length:</b>	cm 118	<b>Glow Wire Test:</b>	650°
<b>Width:</b>	cm 4.5		
<b>Height:</b>	cm 11		
<b>Weight:</b>	kg 3.8		

## INCLUDED SOURCES

<b>Category:</b>	LED	<b>Color temperature (K):</b>	4000K
<b>Number:</b>	1	<b>Color Tolerance:</b>	MacAdam 3SDCM
<b>Watt:</b>	62W	<b>Service Life:</b>	L70 (4K) 60500h
<b>Type:</b>	0		
<b>Class:</b>	A		

## LUMINAIRE

<b>Watt:</b>	62W	<b>Delivered lumens output (lm):</b>	4645lm
		<b>CCT:</b>	4000K
		<b>Efficiency:</b>	59%
		<b>Efficacy:</b>	74.91lm/W
		<b>CRI:</b>	80
		<b>Dimmable Typology:</b>	Dali

## Notes

Only direct emission is dimmable. Upper screen in PMMA included.