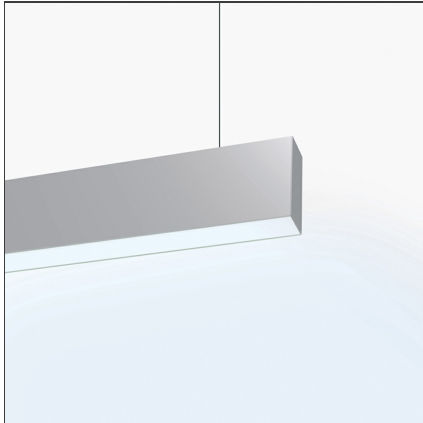


Algoritmo Stand-Alone - Suspension - LED diffused emission - Direct + indirect emission - 122W 4000K DALI - White



IP20  Dimmerable: 

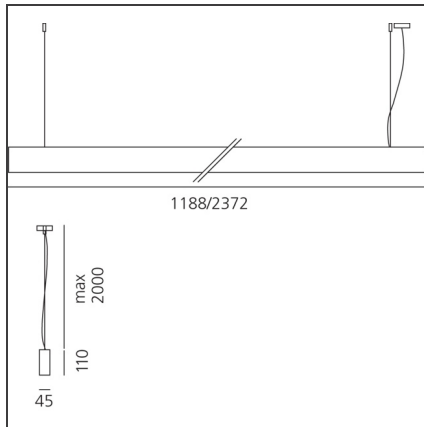
DESIGN BY

Carlotta de Bevilacqua, Paola di Arianello

DESCRIPTION

Series of single units, preconfigured and complete for suspension-mounting, wall-mounting and ceiling-mounting. Body in extruded aluminium, painted white. Two lengths available: 1188 mm and 2372mm. LED version direct emission, diffused: LED monochromatic warm white (3000 K) and neutral white (4000 K). Power supply and light management system included, non dimmable or Dali-SwitchDim. Suspended version direct or double emission. Luminaires come complete with end caps, fixing brackets or suspension cables and optics. Compliant with standard EN60598-1 and other specific standards.

TECHNICAL DRAWINGS



FEATURES

Article Code:	M2913N21	Material:	Extruded Aluminium
Colour:	White	Series:	Indoor
Installation:	Suspension	Emission:	Direct/indirect
Environment:	Indoor		Diffused & Dark Light

DIMENSIONS

Length:	cm 237	Glow Wire Test:	650°
Width:	cm 4.5		
Height:	cm 11		
Weight:	kg 7.1		

INCLUDED SOURCES

Category:	LED	Color temperature (K):	4000K
Number:	1	Color Tolerance:	MacAdam 3SDCM
Watt:	122W	Service Life:	L70 (4K) 60500h
Type:	0		
Class:	A		

LUMINAIRE

Watt:	122W	Delivered lumens output (lm):	9289lm
		CCT:	4000K
		Efficiency:	59%
		Efficacy:	76.14lm/W
		CRI:	80
		Dimmable Typology:	Dali

Notes

Only direct emission is dimmable. Upper screen in PMMA included.