

Airlite_suspension_stable white_28°_4000K_Black



IP20 

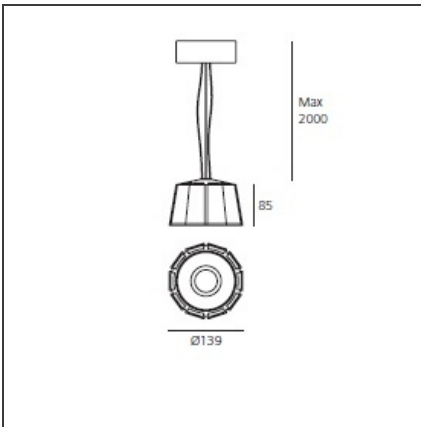
DESIGN BY

Carlotta de Bevilacqua, Paola di Arianello

DESCRIPTION

Boasting elevated luminous flux, excellent colour rendering, energy efficiency, and a light compact design, Airlite is an innovative range of LED spotlights with exceptional photometric performance and flexibility. Thanks to an innovative heat dissipation system, air is filtered through open gaps in the die-cast aluminium body ensuring the efficiency and long life of our LED module. The hybrid optical system provides defined narrow beams, while keeping the light fixture dimensions compact.

TECHNICAL DRAWINGS



FEATURES

Article Code:	M141910	Material:	Aluminium
Colour:	Black	Series:	Scenarios
Installation:	Suspension	Area contract:	Retail, Culture
		Emission:	Direct

DIMENSIONS

Height:	cm 8.5	Glow Wire Test:	850°
Weight:	kg 0.9		
Max Height from ceiling:	cm 200		

INCLUDED SOURCES

Category:	LED	Color temperature (K):	4000K
Number:	1	Color Tolerance:	MacAdam 3SDCM
Watt:	21	CRI:	≈80min
Delivered lumens output (lm):	2420	Efficacy:	115lm/W
Type:	0	Service Life:	>35000h
Class:	A		

LUMINAIRE

Watt:	17W	Delivered lumens output (lm):	1511lm
		CCT:	4000K
		Efficiency:	62%
		Efficacy:	88.88lm/W
		CRI:	80