

Airlite Ceiling stable white undimmable_34°_3000K_Black



IP20 

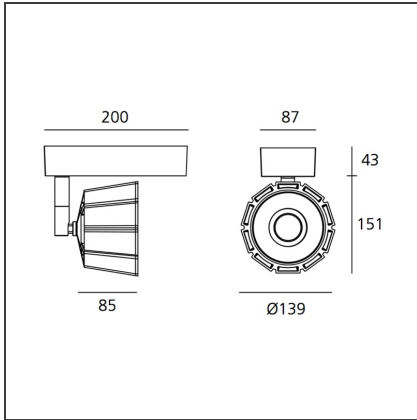
DESIGN BY

Carlotta de Bevilacqua, Paola di Arianello

DESCRIPTION

Boasting elevated luminous flux, excellent colour rendering, energy efficiency, and a light compact design, Airlite is an innovative range of LED spotlights with exceptional photometric performance and flexibility. Thanks to an innovative heat dissipation system, air is filtered through open gaps in the die-cast aluminium body ensuring the efficiency and long life of our LED module. The hybrid optical system provides defined narrow beams, while keeping the light fixture dimensions compact.

TECHNICAL DRAWINGS



FEATURES

Article Code:	M140710	Material:	Aluminium
Colour:	Black	Series:	Scenarios
Installation:	Projector, Ceiling	Area contract:	Hospitality, Retail, Culture

DIMENSIONS

Length:	cm 20	Glow Wire Test:	850
Width:	cm 8.7		
Height:	cm 19.4		
Weight:	kg 1.3		
Base Width:	cm 8.7		

INCLUDED SOURCES

Category:	LED	Color temperature (K):	3000K
Number:	1	Color Tolerance:	MacAdam 3SDCM
Watt:	30W	CRI:	=80 (min.)
Delivered lumens output (lm):	3310 lm	Efficacy:	110 lm/W
Type:	0	Service Life:	L70(9K)>50000h
Class:	A		

LUMINAIRE

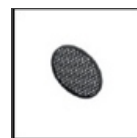
Power Supply:	*Supplied with independent power supply for LED, non-dimmable.	Delivered lumens output (lm):	3052lm
Watt:	35W	CCT:	3000K
Voltage:	220-240V	Efficiency:	71%
		Efficacy:	87.20lm/W
		CRI:	90

ACCESSORIES

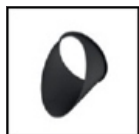
Lente per
emissione ellittica
M078700



Filtro soft
M078800



Griglia frangiluce
M078400



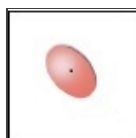
Paraluce
asimmetrico
M078500



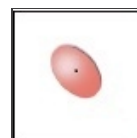
Alette orientabili
M078600



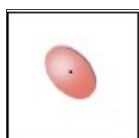
Portaccessori
M077810



Filtro cromatico
M078900



Filtro cromatico
M079000



Filtro cromatico
M079100