

# Airlite Ceiling stable white Dali-Switch\_34°\_3000K\_Black



IP20  Dimmerable: +  -

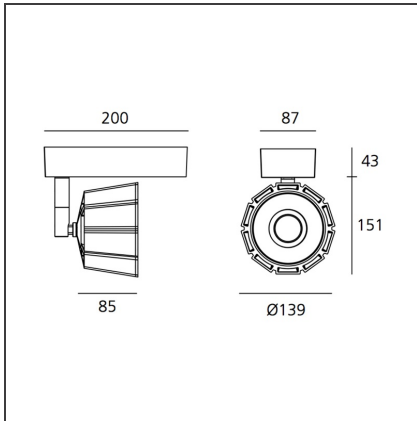
## DESIGN BY

Carlotta de Bevilacqua, Paola di Arianello

## DESCRIPTION

Boasting elevated luminous flux, excellent colour rendering, energy efficiency, and a light compact design, Airlite is an innovative range of LED spotlights with exceptional photometric performance and flexibility. Thanks to an innovative heat dissipation system, air is filtered through open gaps in the die-cast aluminium body ensuring the efficiency and long life of our LED module. The hybrid optical system provides defined narrow beams, while keeping the light fixture dimensions compact.

## TECHNICAL DRAWINGS



## FEATURES

<b>Article Code:</b>	M140711	<b>Material:</b>	Aluminium
<b>Colour:</b>	Black	<b>Series:</b>	Scenarios
<b>Installation:</b>	Projector, Ceiling	<b>Area contract:</b>	Hospitality, Retail, Culture

## DIMENSIONS

<b>Length:</b>	cm 20	<b>Glow Wire Test:</b>	850
<b>Width:</b>	cm 8.7		
<b>Height:</b>	cm 19.4		
<b>Weight:</b>	kg 1.3		
<b>Base Width:</b>	cm 8.7		

## INCLUDED SOURCES

<b>Category:</b>	LED	<b>Color temperature (K):</b>	3000K
<b>Number:</b>	1	<b>Color Tolerance:</b>	MacAdam 3SDCM
<b>Watt:</b>	30W	<b>CRI:</b>	=80 (min.)
<b>Delivered lumens output (lm):</b>	3310 lm	<b>Efficacy:</b>	110 lm/W
<b>Type:</b>	0	<b>Service Life:</b>	L70(9K)>50000h
<b>Class:</b>	A		

## LUMINAIRE

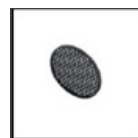
<b>Power Supply:</b>	*Supplied with independent power supply for LED, dimmable Dali-SwitchDim. Voltage: 220-240V. ClassII. SELV. IP20.	<b>Delivered lumens output (lm):</b>	3052lm
		<b>CCT:</b>	3000K
		<b>Efficiency:</b>	71%
<b>Watt:</b>	35W	<b>Efficacy:</b>	87.20lm/W
<b>Voltage:</b>	220-240V	<b>CRI:</b>	90

**ACCESSORIES**

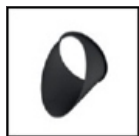
Lente per  
emissione ellittica  
M078700



Filtro soft  
M078800



Griglia frangiluce  
M078400



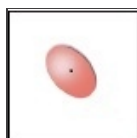
Paraluce  
asimmetrico  
M078500



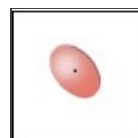
Alette orientabili  
M078600



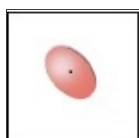
Portaccessori  
M077810



Filtro cromatico  
M078900



Filtro cromatico  
M079000



Filtro cromatico  
M079100