

Aggregato Saliscendi Ø380 cono metallo



IP20 Dimmerable: + -

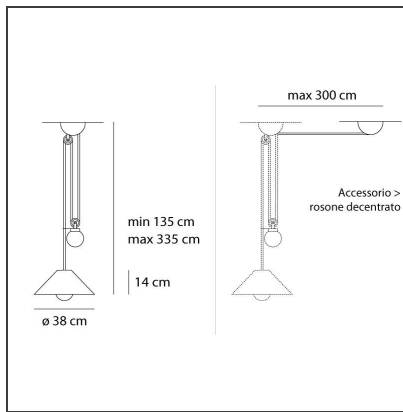
DESIGN BY

Enzo Mari, Giancarlo Fassina

DESCRIPTION

Ceiling rose in thermoplastic resin and metal, painted; counterweight in thermoplastic transparent resin; cone-shaped diffuser in metal. Code structure: A033100 Code cone diffuser in metal: A089860

TECHNICAL DRAWINGS



FEATURES

| | | | |
|----------------------|-----------------|-----------------------|--------------------------------------|
| Article Code: | A089860 A033100 | Material: | Technopolymer, methacrylate or steel |
| Colour: | Anthracite gray | Series: | Design |
| Installation: | Suspension | Area contract: | Residential |
| Environment: | Indoor | Emission: | Diffused |

DIMENSIONS

| | | | |
|------------------------------|--------|------------------------|-----|
| Height: | cm 135 | Glow Wire Test: | 650 |
| Max Extension Height: | cm 335 | | |

NOT INCLUDED SOURCES

| | | | |
|----------------------|-------|-------------------------------|-------|
| Category: | HALO | Color Rendering: | 1a |
| Number: | 1 | Color temperature (K): | 2900K |
| Watt: | 77W | | |
| Lbs: | A60 | | |
| Socket: | E27 | | |
| Duration (h): | 1000h | | |

ALTERNATIVE SOURCES

| | |
|------------------|-----|
| Category: | LED |
| Number: | 1 |
| Watt: | 15W |
| Type: | 2 |
| Socket: | E27 |
| Class: | A |

LUMINAIRE

| | |
|-----------------|-----------|
| Watt: | 77W |
| Voltage: | 220V-240V |

Notes

Lamp with interchangeable diffusers.

ACCESSORIES



AGGREGATO SOSP
ROSONE DECENT
A086000