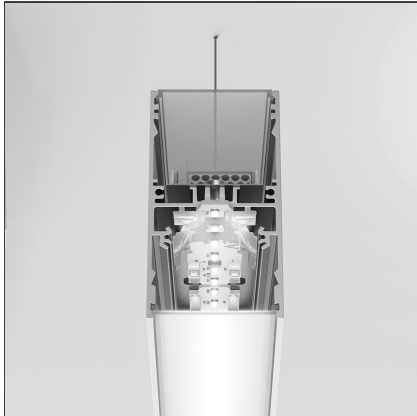


A.39 Suspension/Ceiling - Structural Module 2960mm - Direct Emission - 3000K - Undimmable - Black



IP20 

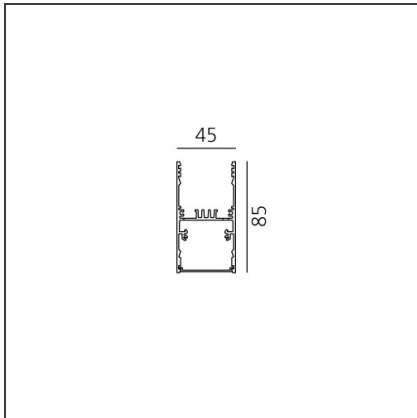
DESIGN BY

Carlotta de Bevilacqua

DESCRIPTION

Optimized version in line applications with wide lengths. Diffusing direct and direct + indirect emission. Recessed trim, trimless, suspension and ceiling versions. Dimmable and non dimmable in two CCT 3000K and 4000K versions.

TECHNICAL DRAWINGS



FEATURES

| | | | |
|----------------------|---------|----------------|--------|
| Article Code: | AT18104 | Series: | Indoor |
| Colour: | Black | | |
| Installation: | Ceiling | | |
| Environment: | Indoor | | |

DIMENSIONS

| | |
|----------------|--------|
| Length: | cm 296 |
| Width: | cm 4.5 |
| Height: | cm 8.5 |

INCLUDED SOURCES

| | | | |
|------------------|-----|-------------------------------|-------|
| Category: | LED | Color temperature (K): | 3000K |
| Number: | 1 | | |
| Watt: | 82W | | |
| Type: | 0 | | |
| Class: | A | | |

LUMINAIRE

| | | | |
|--------------|-----|--------------------------------------|--------|
| Watt: | 82W | Delivered lumens output (lm): | 4732lm |
| | | CCT: | 3000K |
| | | CRI: | 80 |

ACCESSORIESNO
IMAGE
AVAILABLEA.39 - Mechanical
joint including 1
suspension cable
AT09500NO
IMAGE
AVAILABLEA.39 - End Cap (Kit
2x) - Black
AT09404NO
IMAGE
AVAILABLEA.39 - Ceiling
bracket and
mechanical joint
AT09501NO
IMAGE
AVAILABLEA.39 - End Ceiling
Bracket (2x)
AT09502NO
IMAGE
AVAILABLEA.39 - Opal
Diffuser in
Polycarbonate -
L=10000mm
AT10000NO
IMAGE
AVAILABLEA.39 -
Undimmable
Feeding kit
including 2
suspension cables
(3 poles) 2000mm
(H)
AT10400NO
IMAGE
AVAILABLEA.39 - Opal
Diffuser in
Polycarbonate -
L=25000mm
AT10800NO
IMAGE
AVAILABLEA.39 - Opal
Diffuser in
Polycarbonate -
L=50000mm
AT10900NO
IMAGE
AVAILABLEA.39 - Opal
Diffuser in
Polycarbonate -
L=2960mm
AT10300