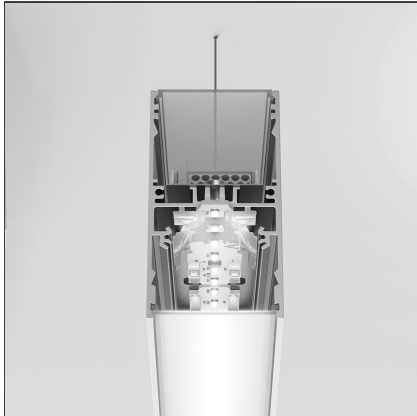


## A.39 Suspension/Ceiling - Structural Module 2368mm - Direct Emission - 4000K - DALI - White



IP20  Dimmerable: 

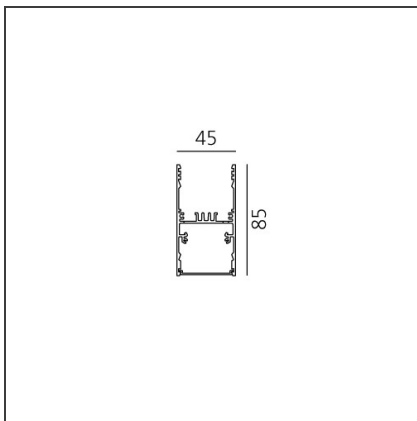
### DESIGN BY

Carlotta de Bevilacqua

### DESCRIPTION

Optimized version in line applications with wide lengths. Diffusing direct and direct + indirect emission. Recessed trim, trimless, suspension and ceiling versions. Dimmable and non dimmable in two CCT 3000K and 4000K versions.

### TECHNICAL DRAWINGS



### FEATURES

<b>Article Code:</b>	AT15201	<b>Series:</b>	Indoor
<b>Colour:</b>	White		
<b>Installation:</b>	Ceiling		
<b>Environment:</b>	Indoor		

### DIMENSIONS

<b>Length:</b>	cm 237
<b>Width:</b>	cm 4.5
<b>Height:</b>	cm 8.5

### INCLUDED SOURCES

<b>Category:</b>	LED	<b>Color temperature (K):</b>	4000K
<b>Number:</b>	1		
<b>Watt:</b>	66W		
<b>Type:</b>	0		
<b>Class:</b>	A		

### LUMINAIRE

<b>Watt:</b>	66W	<b>Delivered lumens output (lm):</b>	4326lm
		<b>CCT:</b>	4000K
		<b>CRI:</b>	80
		<b>Dimmable Typology:</b>	Dali

**ACCESSORIES**NO  
IMAGE  
AVAILABLEA.39 - Mechanical  
joint including 1  
suspension cable  
AT09500NO  
IMAGE  
AVAILABLEA.39 - End Cap (Kit  
2x) - White  
AT09401NO  
IMAGE  
AVAILABLEA.39 - Ceiling  
bracket and  
mechanical joint  
AT09501NO  
IMAGE  
AVAILABLEA.39 - End Ceiling  
Bracket (2x)  
AT09502NO  
IMAGE  
AVAILABLEA.39 - Opal  
Diffuser in  
Polycarbonate -  
L=10000mm  
AT10000NO  
IMAGE  
AVAILABLEA.39 - Dimmable  
Feeding kit  
including 2  
suspension cables  
(5 poles) 2000m  
(H)  
AT10500NO  
IMAGE  
AVAILABLEA.39 - Opal  
Diffuser in  
Polycarbonate -  
L=2368mm  
AT10200NO  
IMAGE  
AVAILABLEA.39 - Opal  
Diffuser in  
Polycarbonate -  
L=25000mm  
AT10800NO  
IMAGE  
AVAILABLEA.39 - Opal  
Diffuser in  
Polycarbonate -  
L=50000mm  
AT10900