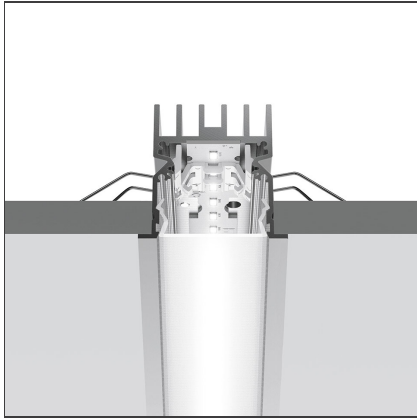


**A.39 Recessed - Structural Module Trim 2368mm 4000K Undimmable White**



IP20

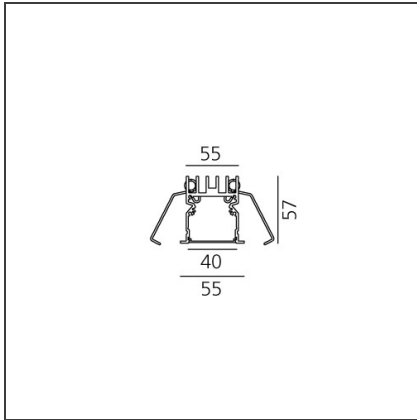
**DESIGN BY**

Carlotta de Bevilacqua

**DESCRIPTION**

Optimized version in line applications with wide lengths. Diffusing direct and direct + indirect emission. Recessed trim, trimless, suspension and ceiling versions. Dimmable and non dimmable in two CCT 3000K and 4000K versions.

**TECHNICAL DRAWINGS**



**FEATURES**

<b>Article Code:</b>	AT06301	<b>Series:</b>	Indoor
<b>Colour:</b>	White	<b>Emission:</b>	Direct
<b>Installation:</b>	Recessed		
<b>Environment:</b>	Indoor		

**DIMENSIONS**

**Length:** cm 237

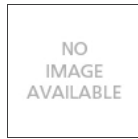
**INCLUDED SOURCES**

<b>Category:</b>	LED	<b>Color temperature (K):</b>	4000K
<b>Number:</b>	1		
<b>Watt:</b>	63W		
<b>Type:</b>	0		
<b>Class:</b>	A		

**LUMINAIRE**

<b>Watt:</b>	63W	<b>Delivered lumens output (lm):</b>	4538lm
		<b>CCT:</b>	4000K
		<b>CRI:</b>	80

**ACCESSORIES**



A.39 - Opal  
Diffuser in  
Polycarbonate -  
L=10000mm  
AT10000



A.39 - Opal  
Diffuser in  
Polycarbonate -  
L=2368mm  
AT10200



A.39 Recessed -  
Trim End Cap (Kit  
2x) - Up to 5m -  
White  
AT09001



A.39 - Opal  
Diffuser in  
Polycarbonate -  
L=25000mm  
AT10800



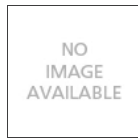
A.39 - Opal  
Diffuser in  
Polycarbonate -  
L=2960mm  
AT10300



A.39 Recessed -  
Trimless Frame Kit  
- L=1488mm  
AT04000



A.39 Recessed -  
Trimless Frame Kit  
- L=4736mm  
AT04100



A.39 - Opal  
Diffuser in  
Polycarbonate -  
L=1184mm  
AT10100



A.39 - Opal  
Diffuser in  
Polycarbonate -  
L=50000mm  
AT10900



A.39 Recessed -  
Frame Cap 2x  
AT09300



End Cap (x2)  
AT09301



A.39 Recessed -  
Trim End Cap (Kit  
2x) - Up to 15m -  
White  
AT09101



A.39 Recessed -  
Trim End Cap (Kit  
2x) - Up to 35m -  
White  
AT09201