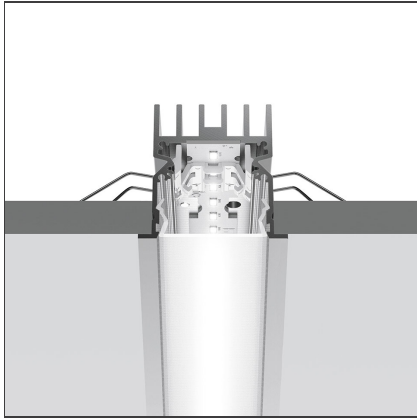


A.39 Recessed - Structural Module Trim 1776mm 3000K DALI Silver



IP20  Dimmerable: 

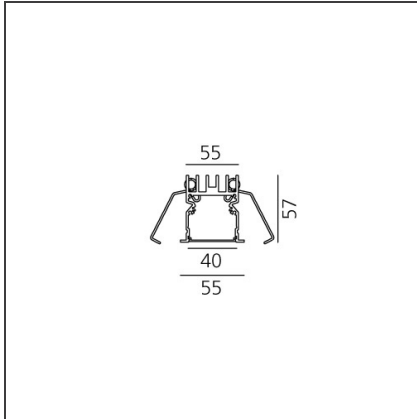
DESIGN BY

Carlotta de Bevilacqua

DESCRIPTION

Optimized version in line applications with wide lengths. Diffusing direct and direct + indirect emission. Recessed trim, trimless, suspension and ceiling versions. Dimmable and non dimmable in two CCT 3000K and 4000K versions.

TECHNICAL DRAWINGS



FEATURES

| | | | |
|----------------------|----------|------------------|--------|
| Article Code: | AT06405 | Series: | Indoor |
| Colour: | Silver | Emission: | Direct |
| Installation: | Recessed | | |
| Environment: | Indoor | | |

DIMENSIONS

Length: cm 178

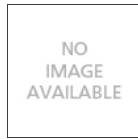
INCLUDED SOURCES

| | | | |
|------------------|-----|-------------------------------|-------|
| Category: | LED | Color temperature (K): | 3000K |
| Number: | 1 | | |
| Watt: | 49W | | |
| Type: | 0 | | |
| Class: | A | | |

LUMINAIRE

| | | | |
|--------------|-----|--------------------------------------|--------|
| Watt: | 49W | Delivered lumens output (lm): | 3013lm |
| | | CCT: | 3000K |
| | | CRI: | 80 |
| | | Dimmable Typology: | Dali |

ACCESSORIES



A.39 Recessed -
Trim End Cap (Kit
2x) - Up to 15m -
Silver
AT09105



A.39 Recessed -
Trim End Cap (Kit
2x) - Up to 35m -
Silver
AT09205



A.39 - Opal
Diffuser in
Polycarbonate -
L=10000mm
AT10000



A.39 - Opal
Diffuser in
Polycarbonate -
L=2368mm
AT10200



A.39 - Opal
Diffuser in
Polycarbonate -
L=25000mm
AT10800



A.39 - Opal
Diffuser in
Polycarbonate -
L=2960mm
AT10300



A.39 Recessed -
Trim End Cap (Kit
2x) - Up to 5m -
Silver
AT09005



A.39 Recessed -
Trimless Frame Kit
- L=1488mm
AT04000



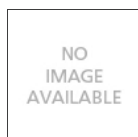
A.39 Recessed -
Trimless Frame Kit
- L=4736mm
AT04100



A.39 - Opal
Diffuser in
Polycarbonate -
L=1184mm
AT10100



A.39 - Opal
Diffuser in
Polycarbonate -
L=50000mm
AT10900



A.39 Recessed -
Frame Cap 2x
AT09300



End Cap (x2)
AT09301