

PRODUCT DATA SHEET

Giasole parete/soffitto Fluo Black

**DESIGN BY :**

Ernesto Gismondi
1978

MATERIALS :

Die-cast EN-AB 46100 aluminium, sanded sodium-calcium glass

DESCRIPTION :

Lamp unit and wall support in die-cast EN-AB 46100 aluminium with 3-stage outdoor treatment: nanotechnologies, antioxidant primer, polyester paint. Moulded diffuser in internally sanded sodium-calcium glass. Stainless steel screws and silicone seal gaskets.

Suitable for watertight connection.

Light emission

Diffused And Direct

IP 54    

TECHNICAL DATA SHEET

Features

Product name:	Giasole parete/soffitto Fluo Black
Article Code:	T051430
Colour:	Black
Material:	Die-cast EN-AB 46100 aluminium, sanded sodium-calcium glass
Series:	Outdoor
Environment:	Outdoor

OPTICS

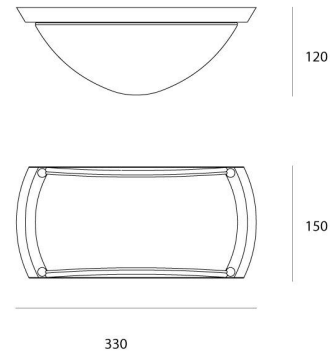
Emission:	Diffused And Direct
-----------	---------------------

DIMENSIONS

Length:	(cm) 33
Width:	(cm) 12
Height:	(cm) 15
Cutout shape:	

LAMPS NOT INCLUDED

Category:	FLUO
Number:	1
Lbs:	Tc-d
Watt:	18
Socket:	G24d-2
Type:	Fsq
Colour Rendering:	1b
Colour temperature (K):	3000
Duration (h):	12000

Dimensions**LAMP**

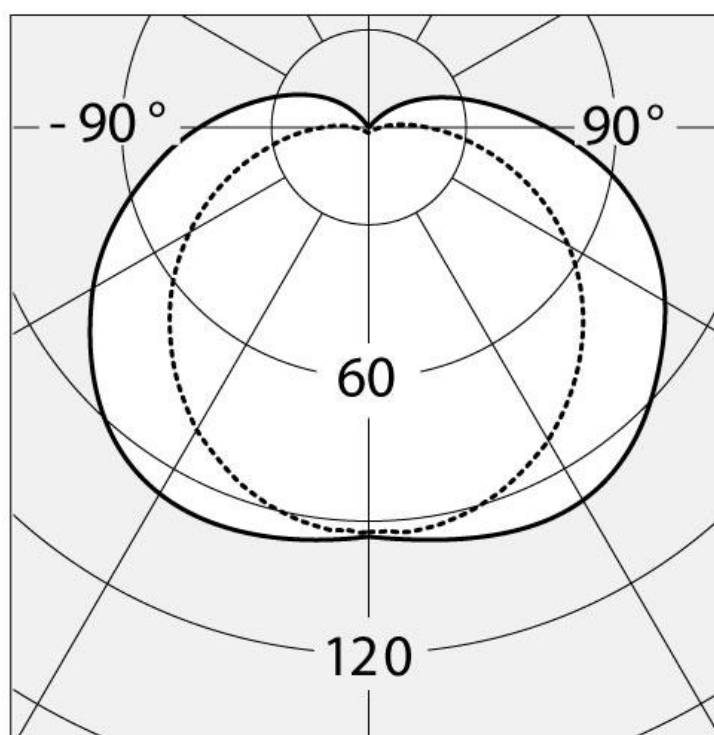
IP 54    

ELECTRICAL

Voltage:	220-240V
----------	----------



Light beam



— C=0°-180° Cd/Klm
· · · · · C=90°-270°

Polar curve

