

## PRODUCT DATA SHEET

### Giasole parete/soffitto Halo White



#### DESIGN BY :

Ernesto Gismondi  
1978

#### MATERIALS :

Die-cast EN-AB 46100 aluminium, sanded sodium-calcium glass

#### DESCRIPTION :

Lamp unit and wall support in die-cast EN-AB 46100 aluminium with 3-stage outdoor treatment: nanotechnologies, antioxidant primer, polyester paint. Moulded diffuser in internally sanded sodium-calcium glass. Stainless steel screws and silicone seal gaskets.

Suitable for watertight connection.

#### Light emission



Diffused And Direct

IP 54   

### TECHNICAL DATA SHEET

#### Features

Product name:	Giasole parete/soffitto Halo White
Article Code:	T051300
Colour:	White
Material:	Die-cast EN-AB 46100 aluminium, sanded sodium-calcium glass
Series:	Outdoor
Environment:	Outdoor

#### OPTICS

Emission:	Diffused And Direct
-----------	---------------------

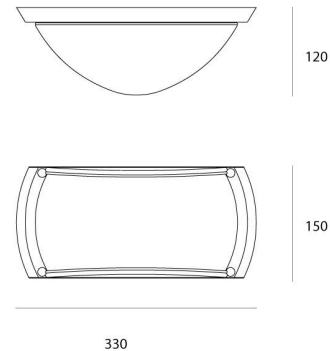
#### DIMENSIONS

Length:	(cm) 33
Width:	(cm) 12
Height:	(cm) 15
Cutout shape:	

#### LAMPS NOT INCLUDED

Category:	HALO
Number:	1
Lbs:	Qa60
Watt:	70
Socket:	E27
Type:	Hsgsa/c/ub
Colour Rendering:	1a
Colour temperature (K):	2900
Duration (h):	2000

#### Dimensions



#### LAMP

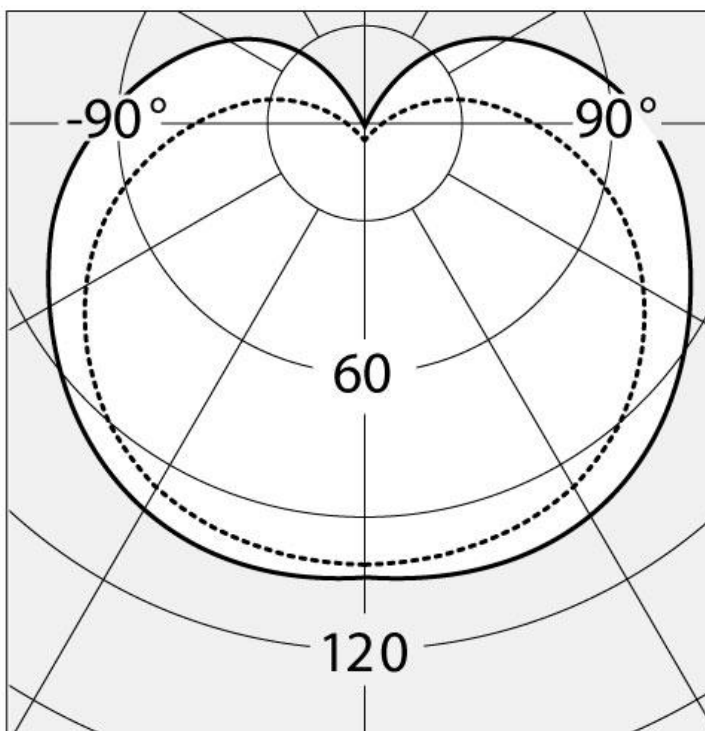
IP 54   

#### ELECTRICAL

Voltage:	220-240V
----------	----------



Light beam



Polar curve

