

PRODUCT DATA SHEET

Felsina palo HSE 100W Adjustable



DESIGN BY :

Ernesto Gismondi
1994

MATERIALS :

Hot-galvanized steel, die-cast aluminium, anodized aluminium, tempered glass

DESCRIPTION :

Light fixture with direct emission and adjustable projectors with one, two or three heads. Materials: 3/4/5-meter underground pole in hot-galvanized and painted steel, lamp unit in painted die-cast EN-AB 46100 aluminium; reflector in bright anodized aluminium; moulded prismatic diffuser in sodium-calcium tempered glass; AISI 316 stainless steel screws and silicone seal gaskets. Painting is obtained with 3-stage outdoor treatment: nanotechnologies, antioxidant primer, polyester paint.

Light emission



Direct and Direct/Indirect

IP 65  

TECHNICAL DATA SHEET

Features

Product name:	Felsina palo HSE 100W Adjustable
Article Code:	T001700 + T001500 + T000500
Colour:	Antigua grey
Material:	Hot-galvanized steel, die-cast aluminium, anodized aluminium, tempered glass
Series:	Outdoor
Environment:	Outdoor

OPTICS

Emission: Direct and Direct/Indirect

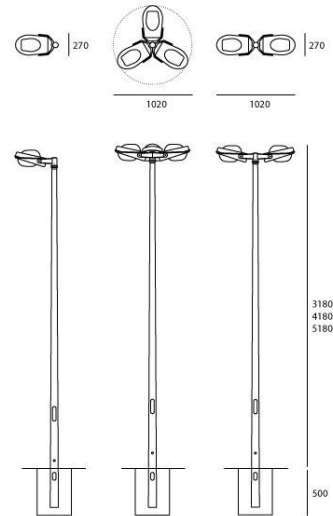
DIMENSIONS

Width:	(cm) 27
Height:	(cm) 318
Max Extension Height:	(cm) 518
Recessed depth:	(cm) 50
Cutout shape:	

LAMPS NOT INCLUDED

Category:	HQI
Number:	1
Lbs:	HSE
Watt:	100
Socket:	E40
Class:	A

Dimensions



LAMP

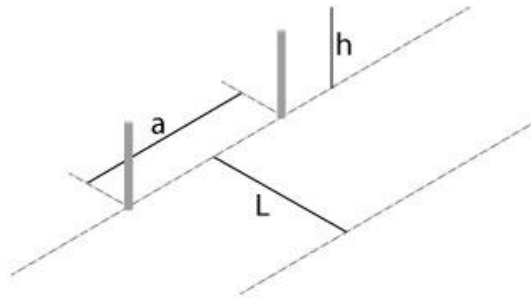
IP 65  

ELECTRICAL

Voltage: 220-240V

Installation

HIE 100W direct emission			Lighting application		
h	L	a	Em	E_{max}	E_{min}
3.22 m	3.5 m	11.9 m	39 lux	130 lux	4 lux
4.22 m	4.5 m	15.6 m	22 lux	75 lux	3 lux
5.22 m	5.5 m	19.3 m	14 lux	48 lux	1.5 lux



ACCESSORIES



FELSINA PALO 4M
INTERR+PORTT001710



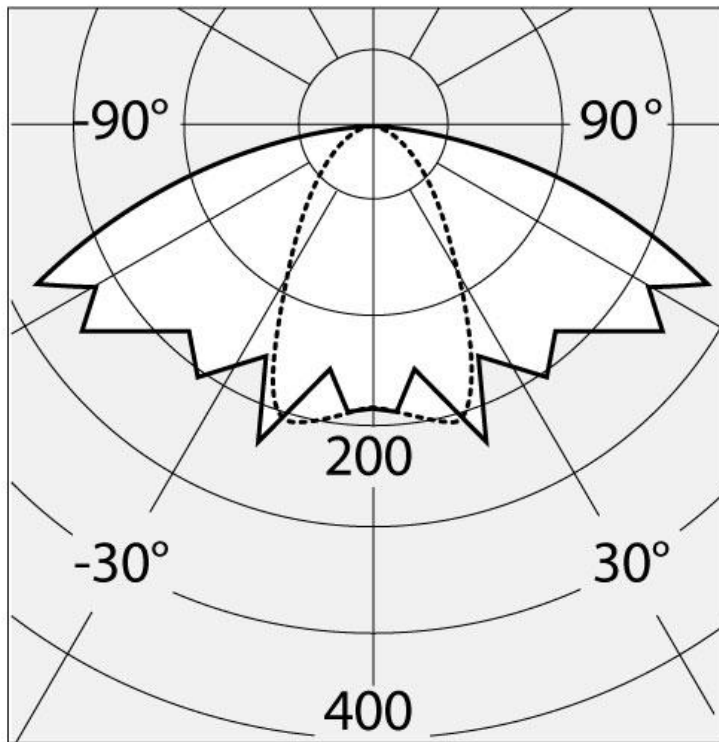
FELSINA PALO 5M
INTERR+PORTT001720



FELSINA ATTACCO PALO 2
TESTET001510

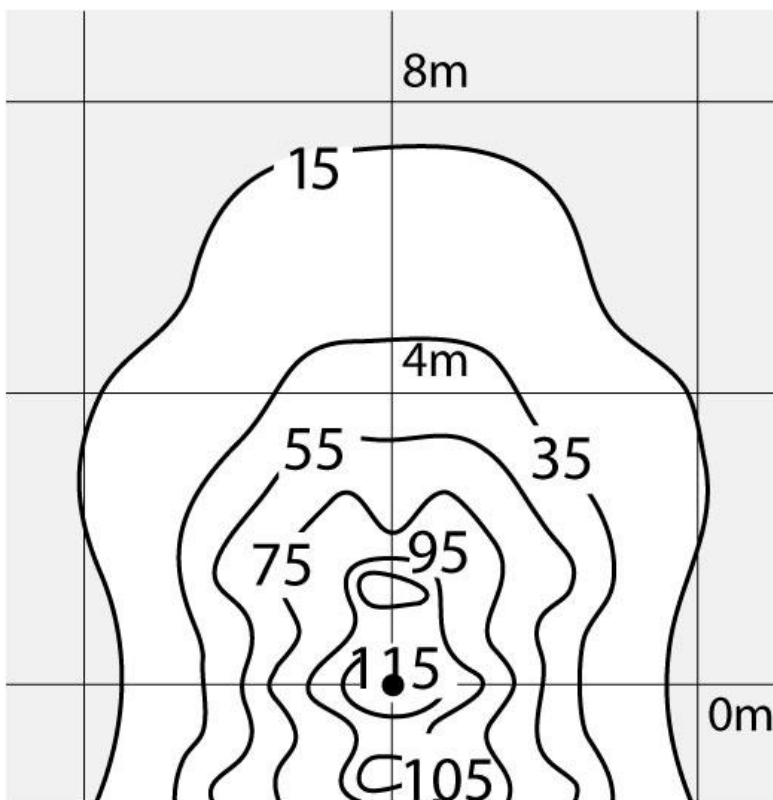


FELSINA ATTACCO PALO 3
TESTET001520



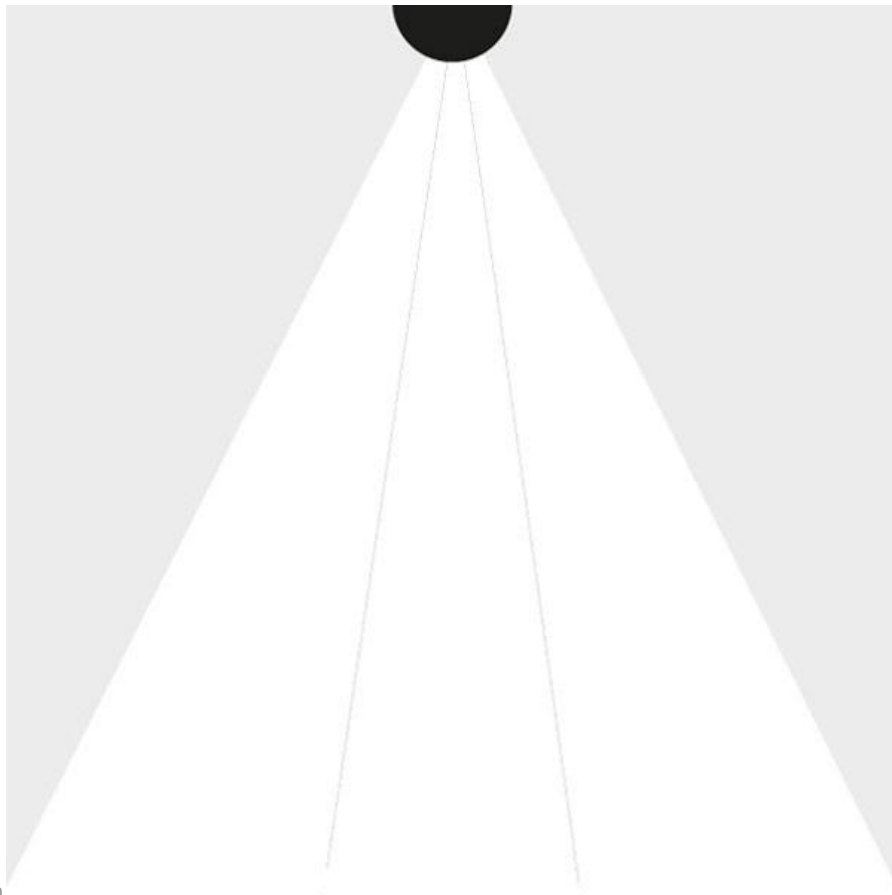
— C=0°-180° Cd/Klm
 - - - C=90°-270°

Polar curve



$\alpha = 75^\circ \times 32^\circ$

Light cone



Light beam