

## PRODUCT DATA SHEET

### Felsina palo HIE 100W Adjustable



#### DESIGN BY :

Ernesto Gismondi  
1994

#### MATERIALS :

Hot-galvanized steel, die-cast aluminium, anodized aluminium, tempered glass

#### DESCRIPTION :

Light fixture with direct emission and adjustable projectors with one, two or three heads. Materials: 3/4/5-meter underground pole in hot-galvanized and painted steel, lamp unit in painted die-cast EN-AB 46100 aluminium; reflector in bright anodized aluminium; moulded prismatic diffuser in sodium-calcium tempered glass; AISI 316 stainless steel screws and silicone seal gaskets. Painting is obtained with 3-stage outdoor treatment: nanotechnologies, antioxidant primer, polyester paint.

#### Light emission



Direct and Direct/Indirect

IP 65  

### TECHNICAL DATA SHEET

#### Features

Product name:	Felsina palo HIE 100W Adjustable
Article Code:	T001700 + T001500 + T002900
Colour:	Antigua grey
Material:	Hot-galvanized steel, die-cast aluminium, anodized aluminium, tempered glass
Series:	Outdoor
Environment:	Outdoor

#### OPTICS

Emission:	Direct and Direct/Indirect
-----------	----------------------------

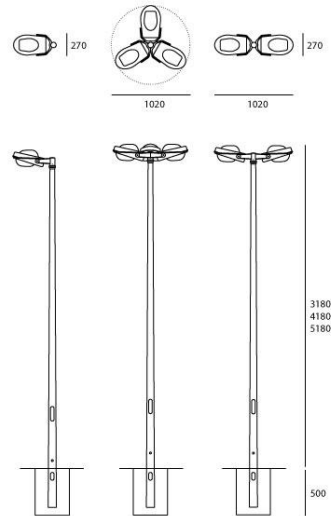
#### DIMENSIONS

Width:	(cm) 27
Height:	(cm) 318
Max Extension Height:	(cm) 518
Recessed depth:	(cm) 50
Cutout shape:	


#### LAMPS NOT INCLUDED

Category:	HQI
Number:	1
Lbs:	Hie
Watt:	100
Socket:	E27
Type:	Mcs
Colour Rendering:	1b
Colour temperature (K):	3000

#### Dimensions



#### LAMP

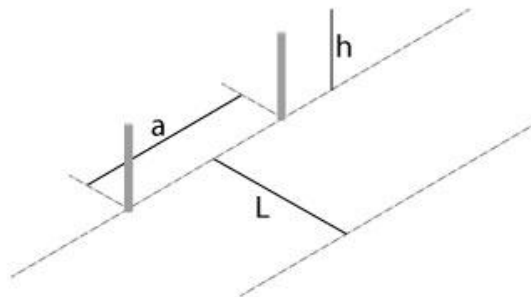
IP 65  

#### ELECTRICAL

Voltage:	220-240V
----------	----------

## Installation

HIE 100W direct emission			Lighting application		
<b>h</b>	<b>L</b>	<b>a</b>	<b>Em</b>	<b>Emax</b>	<b>Emin</b>
3.22 m	3.5 m	11.9 m	39 lux	130 lux	4 lux
4.22 m	4.5 m	15.6 m	22 lux	75 lux	3 lux
5.22 m	5.5 m	19.3 m	14 lux	48 lux	1.5 lux



## ACCESSORIES

---



FELSINA PALO 4M  
INTERR+PORTT001710



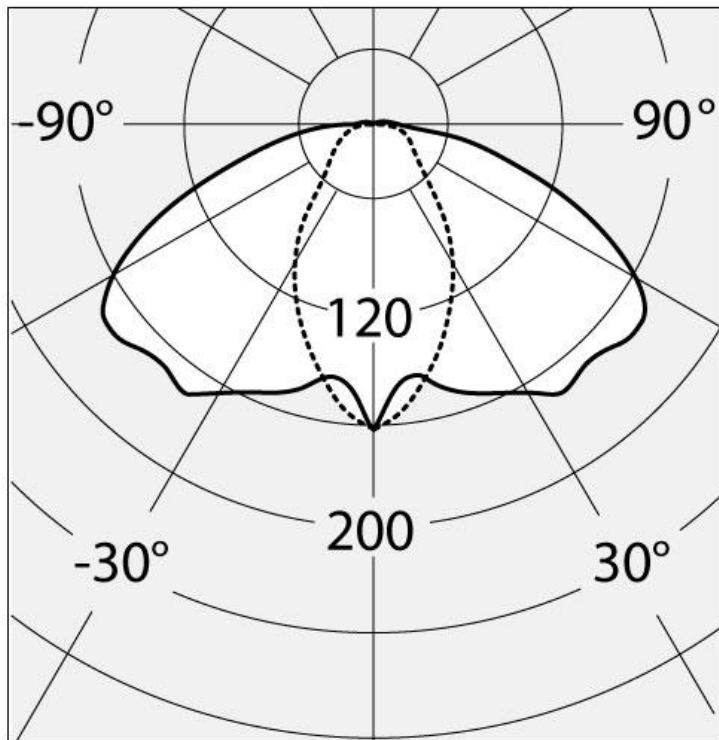
FELSINA PALO 5M  
INTERR+PORTT001720



FELSINA ATTACCO PALO 2  
TESTET001510



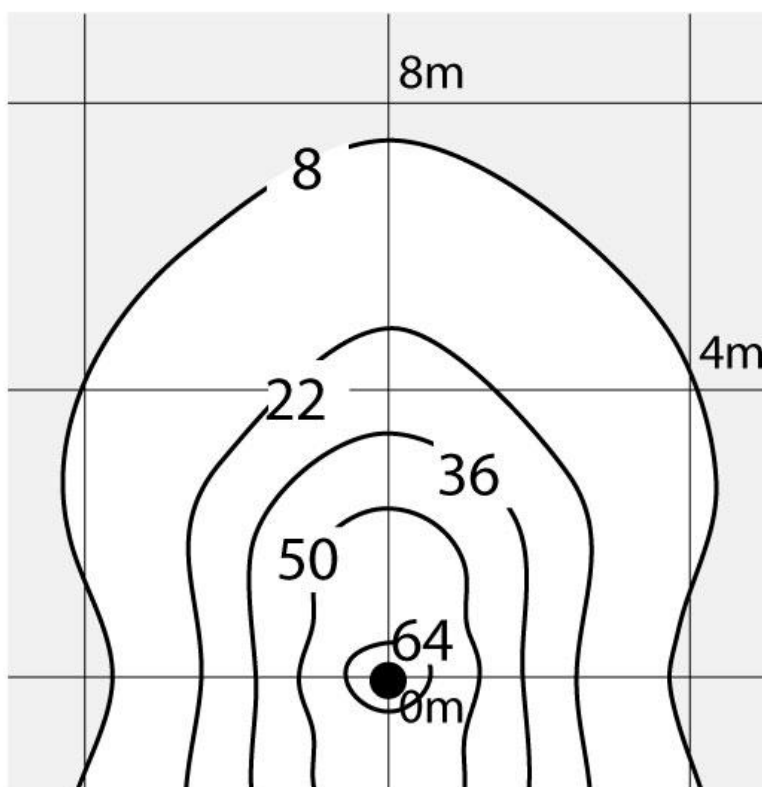
FELSINA ATTACCO PALO 3  
TESTET001520



— C=0°-180° Cd/Klm

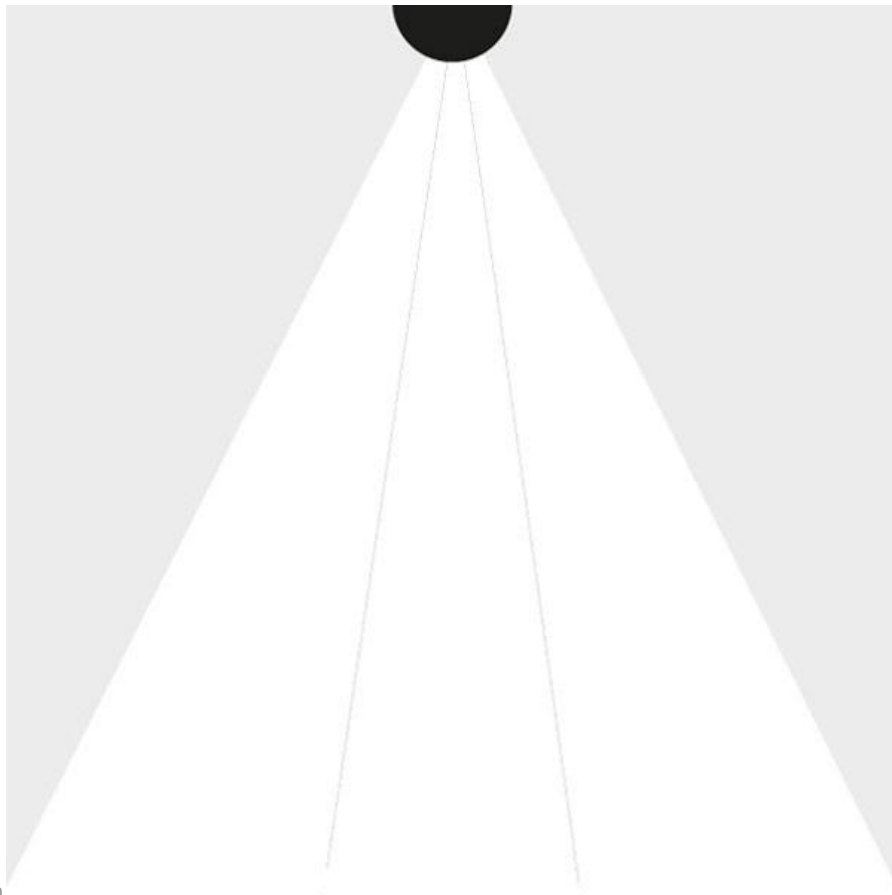
- - - C=90°-270°

Polar curve



$\alpha = 72^\circ \times 31^\circ$

Light cone



Light beam