

PRODUCT DATA SHEET

Egle tavolo Led - Black



DESIGN BY :

Michel Boucquillon
2008

MATERIALS :

Steel, zamak

DESCRIPTION :

The stem is adjustable in all directions thanks to a spherical pivot positioned on the base. The diffuser, fitted with a concentrating lens, rotates 360° on the vertical axis, enabling to point the light beam in different positions. When the diffuser is directed downwards vertically, the base acts as a reflector. The slightly concave form of the base enables to use it as an object-holder. Materials: chromed or painted zamak base and diffuser; stem in steel.

Light emission



Direct Adjustable

IP 20     

TECHNICAL DATA SHEET

Features

Product name:	Egle tavolo Led - Black
Article Code:	1470030A
Colour:	Black
Material:	Steel, zamak
Series:	Design
Environment:	Indoor
Area contract:	Hospitality Hotel, Private Residence

OPTICS

Emission:	Direct Adjustable
-----------	-------------------

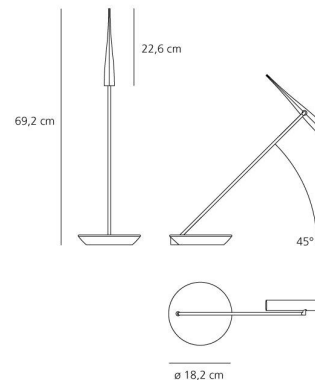
DIMENSIONS

Height:	(cm) 69.2
Cutout width:	(cm) 18.2
Rotation:	360
Cutout shape:	

LAMPS INCLUDED

Category:	LED
Watt:	3
Typology:	Led
Color Rendering:	N/s

Dimensions



LAMP

IP 20     

ELECTRICAL

Voltage:	220V-240V
----------	-----------