

## PRODUCT DATA SHEET

### Egle tavolo Led - Chrome



#### DESIGN BY :

Michel Boucquillon  
2008

#### MATERIALS :

Steel, zamak

#### DESCRIPTION :

The stem is adjustable in all directions thanks to a spherical pivot positioned on the base. The diffuser, fitted with a concentrating lens, rotates 360° on the vertical axis, enabling to point the light beam in different positions. When the diffuser is directed downwards vertically, the base acts as a reflector. The slightly concave form of the base enables to use it as an object-holder. Materials: chromed or painted zamak base and diffuser; stem in steel.

#### Light emission



Direct Adjustable



Dimmer

### TECHNICAL DATA SHEET

#### Features

Product name:	Egle tavolo Led - Chrome
Article Code:	1470010A
Colour:	Chrome
Material:	Steel, zamak
Series:	Design
Environment:	Indoor
Area contract:	Hospitality Hotel, Private Residence

#### OPTICS

Emission:	Direct Adjustable
-----------	-------------------

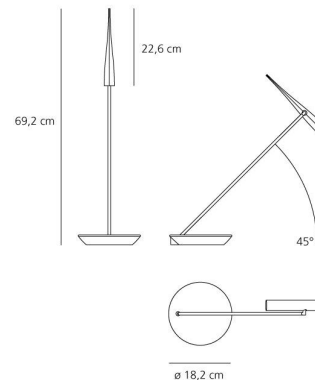
#### DIMENSIONS

Height:	(cm) 69.2
Base Diameter:	(cm) 18.2
Rotation:	360
Cutout shape:	

#### LAMPS INCLUDED

Category:	LED
Watt:	3
Typology:	Led
Color Rendering:	N/s

#### Dimensions



#### LAMP



Dimmer

#### ELECTRICAL

Voltage:	220V-240V
----------	-----------