

PRODUCT DATA SHEET

Genesy - Black - Hqi



DESIGN BY :

Zaha Hadid
2009

MATERIALS :

Polyurethane

DESCRIPTION :

"As in the organic development of trees, a sweeping canopy emerges through an extensive interconnected supporting network at the base. The primary components of this organic analogy are transformed from abstract diagrams into Genesy's fluid design. The lamp's structure increases in complexity as it rises from the floor. Like a growing organism, the central support sprouts branches that adopt a greater radial geometry to enhance the dynamic tensional forces of the structure. Nature continues to inform the design as these branches frame voids, enhancing the contrast between positive and negative, convex and concave, tension and compression." Injection-moulded polyurethane.

With touch dimmer. Direct Led light and indirect light (halogen or HQI) are manageable separately by two touch dimmers placed on the body lamp.

Light emission



Direct, indirect

IP 20    

Dimmer

TECHNICAL DATA SHEET

Features

Product name: Genesy - Black - Hqi
Article Code: 1492030A
Colour: Polished black
Material: Polyurethane
Series: Design
Environment: Indoor
Area contract: Private Residence

OPTICS

Emission: Direct, indirect

DIMENSIONS

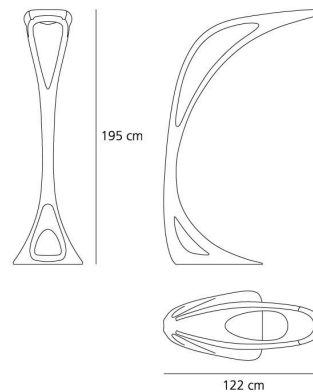
Length: (cm) 122
Height: (cm) 188
Cutout shape:

LAMPS INCLUDED

Category: LED
Watt: 10
Typology: 1
Color Rendering: N/s

Category: HQI
Number: 1
Lbs: HIT-TC-CE
Watt: 70
Socket: G8.5
Type: MT/UB-70
Colour Rendering: 80-85
Colour temperature (K): 3000
Duration (h): 12000

Dimensions



LAMP

IP 20    

Dimmer

ELECTRICAL

Starter: Electronic
Voltage: 220V-240V