

PRODUCT DATA SHEET

Droplet sospensione



DESIGN BY :

Ross Lovegrove
2007

MATERIALS :

Die-cast aluminium

DESCRIPTION :

Lamp available in suspension and ceiling versions. "Droplet is a ceiling light that appears as a pool of liquid aluminium reflecting two light pebbles. It has been generated totally by digital means and freezes in time the act of ripples that cross each other to define reflective zones and acting as a form of liquid dichroic." Materials: die-cast aluminium lighting units; die-cast aluminium reflector.

Light emission



Indirect

IP 20     



TECHNICAL DATA SHEET

Features

Product name:	Droplet sospensione
Article Code:	1399010A
Colour:	Polished chrome / Aluminium
Material:	Die-cast aluminium
Series:	Design, Hydro
Environment:	Indoor

OPTICS

Emission:	Indirect
-----------	----------

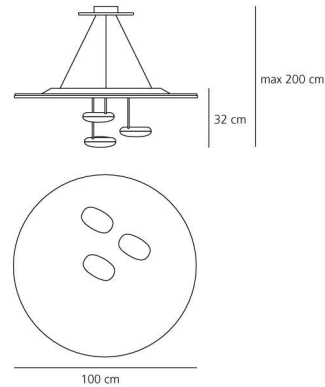
DIMENSIONS

Height:	(cm) 50
Cutout width:	(cm) 110
Max Height from ceiling:	(cm) 200
Cutout shape:	

LAMPS INCLUDED

Category:	HALO
Number:	1
Lbs:	Qt-de12
Watt:	160
Socket:	R7s
Type:	Hdg
Luminous Flux (lm):	3300
Colour Rendering:	1a
Colour temperature (K):	2950
Duration (h):	2000

Dimensions



LAMP

IP 20     



ELECTRICAL

Voltage: 220V-240V