

PRODUCT DATA SHEET

Choose Led



DESIGN BY :

Matteo Thun
2006

MATERIALS :

Metal and polycarbonate

DESCRIPTION :

Due to the new L.E.D. technologies, the Choose LED wall lamp meets ever greater demand to use discreet, precise light sources with low energy consumption and high light output. Excellent for reading, it is proposed with a polycarbonate shell with a finish coordinated with the metal structural parts of the other lamps of the series.

On/off switch on body lamp. LED included. White light LED in class 1M according to EN60825-1. Max. optical power: 96 lm @ 450-470nm. Do not look at it directly with optical instruments (lenses etc.) and from a distance lower than 20 cm.

Light emission



Direct Spot



TECHNICAL DATA SHEET

Features

Product name:	Choose Led
Article Code:	1143110A
Colour:	Transparent + White
Material:	Metal and polycarbonate
Series:	Design
Environment:	Indoor
Area contract:	Hospitality Hotel

OPTICS

Emission:	Direct Spot
-----------	-------------

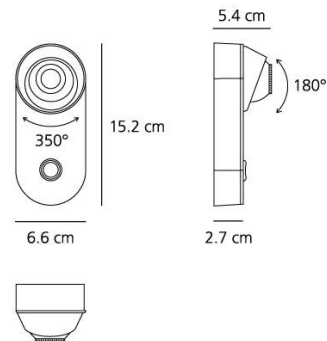
DIMENSIONS

Width:	(cm) 6.6
Height:	(cm) 15.2
Depth:	(cm) 5.4
Cutout shape:	

LAMPS INCLUDED

Category:	LED
Watt:	1
Luminous Flux (lm):	70
Typology:	1
Color Rendering:	N/s

Dimensions



LAMP



ELECTRICAL

Transformer availability:	Integrated
Voltage:	12V