

PRODUCT DATA SHEET

Itis White



DESIGN BY :

Naoto Fukasawa
2006

MATERIALS :

Metal, polycarbonate, zamak

DESCRIPTION :

Painted zamak base; painted metal stem; painted metal and polycarbonate head; satin transparent polycarbonate diffuser. Two articulations connect the stem to the base and the head which allow the stem to be tilted from 0° to 90° and the head to be rotated 180°.

Light emission



Diffused And Direct

IP 20    
Dimmer

TECHNICAL DATA SHEET

Features

Product name:	Itis White
Article Code:	1438060A
Colour:	White
Material:	Metal, polycarbonate, zamak
Series:	Design
Environment:	Indoor
Area contract:	Hospitality Hotel, Private Residence

OPTICS

Emission: Diffused And Direct

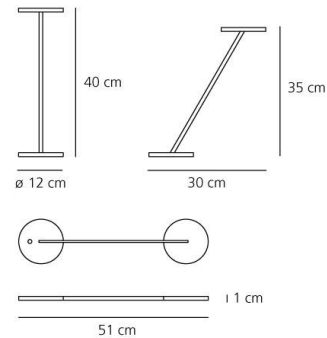
DIMENSIONS

Length:	(cm) 51
Width:	(cm) 30
Height:	(cm) 40
Cutout width:	(cm) 12
Inclination:	90
Rotation:	180
Cutout shape:	

LAMPS INCLUDED

Category:	LED
Watt:	5
Typology:	Led
Color Rendering:	N/s

Dimensions



LAMP

IP 20    

Dimmer

ELECTRICAL

Transformer availability: Remote
Voltage: 12V