

PRODUCT DATA SHEET

Catilina Grey

**DESIGN BY :**

Sergio Mazza

MATERIALS :

Die-cast aluminium

DESCRIPTION :

The body is phospho-chromated diecast aluminium painted with polyester for maximum resistance to oxidation. Internal metal components are stainless steel. Diffuser in opal blown glass. The sealant is silicone rubber.

Light emission

Diffused

IP 44     

TECHNICAL DATA SHEET

Features

Product name:	Catilina Grey
Article Code:	T053010
Colour:	Grey
Material:	Die-cast aluminium
Series:	Outdoor
Environment:	Outdoor
Area contract:	Outdoor Garden

OPTICS

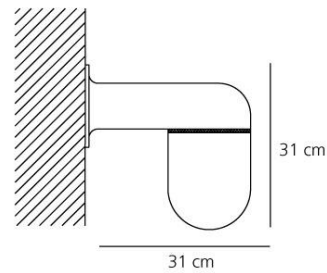
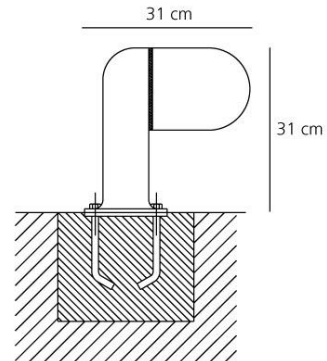
Emission:	Diffused
-----------	----------

DIMENSIONS

Length:	(cm) 31
Height:	(cm) 31
Cutout shape:	

LAMPS NOT INCLUDED

Category:	HALO
Number:	1
Lbs:	Qa60
Watt:	70
Socket:	E27
Type:	Hsgsa/c/ub
Colour Rendering:	1a
Colour temperature (K):	2900
Duration (h):	2000

Dimensions**LAMP**IP 44     **ELECTRICAL**

Voltage: 220V-240V