

PRODUCT DATA SHEET

Kalifa Floor Prismoptic II - Pole side - FLUO 4x55W movement detector - Grey

**DESIGN BY :**

Ernesto Gismondi

MATERIALS :

Aluminium

DESCRIPTION :

A range of floor lamps with direct-indirect lighting using fluorescent lamps. Optical unit and pole in extruded aluminium with a white or grey paint finish. Steel base. Polycarbonate "PRISMOPTIC" diffuser. Light output ratio 70%. Light distribution: 79% indirect and 21% direct. Polycarbonate dust-protection screen (IP40). Complies with standard EN60598-1 and other specific standards.

M168899

Light emission

Direct/indirect

IP20

TECHNICAL DATA SHEET**Features**

Product name:	Kalifa Floor Prismoptic II - Pole side - FLUO 4x55W movement detector - Grey
Colour:	Grey
Material:	Aluminium
Series:	Architectural
Environment:	Indoor
Area contract:	

OPTICS

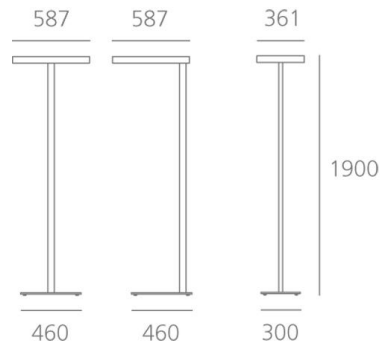
Emission:	Direct/indirect
-----------	-----------------

DIMENSIONS

Length:	(cm) 58.7
Width:	(cm) 36.1
Height:	(cm) 190
Cutout shape:	
Weight:	14

LAMPS NOT INCLUDED

Category:	FLUO
Number:	4
Lbs:	TC-LEL
Watt:	55
Socket:	2G11
Type:	FSDH
Luminous Flux (lm):	4800
Colour Rendering:	85
Colour temperature (K):	3000
Duration (h):	12000

Dimensions**LAMP**

IP20

ELECTRICAL

Starter:	Electronic + movement detector Integrated
Voltage:	220V-240V