

## PRODUCT DATA SHEET

### Kalifa Floor Prismoptic II - Pole central - FLUO 4x55W movement detector - Gey

**DESIGN BY :**

Ernesto Gismondi

**MATERIALS :**

Aluminium

**DESCRIPTION :**

A range of floor lamps with direct-indirect lighting using fluorescent lamps. Optical unit and pole in extruded aluminium with a white or grey paint finish. Steel base. Polycarbonate "PRISMOPTIC" diffuser. Light output ratio 70%. Light distribution: 79% indirect and 21% direct. Polycarbonate dust-protection screen (IP40). Complies with standard EN60598-1 and other specific standards.

**Light emission**

Direct/indirect

IP20

### TECHNICAL DATA SHEET

**Features**

Product name:	Kalifa Floor Prismoptic II - Pole central - FLUO 4x55W movement detector - Gey
Article Code:	M168799
Colour:	Grey
Material:	Aluminium
Series:	Architectural
Environment:	Indoor
Area contract:	

**OPTICS**

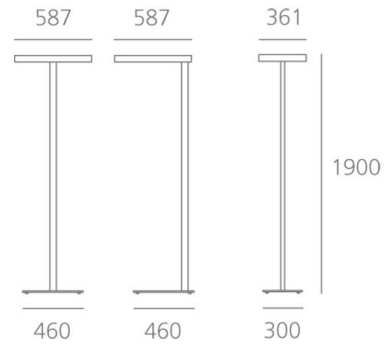
Emission: Direct/indirect

**DIMENSIONS**

Length:	(cm) 58.7
Width:	(cm) 36.1
Height:	(cm) 190
Cutout shape:	
Weight:	14

**LAMPS NOT INCLUDED**

Category:	FLUO
Number:	4
Lbs:	TC-LEL
Watt:	55
Socket:	2G11
Type:	FSDH
Luminous Flux (lm):	4800
Colour Rendering:	85
Colour temperature (K):	3000
Duration (h):	12000

**Dimensions****LAMP**

IP20

**ELECTRICAL**

Starter:	Electronic + movement detector
Voltage:	Integrated 220V-240V