

PRODUCT DATA SHEET

Kalifa Floor Dark Light - Pole side - FLUO 4x55W Interactive-DALI - White

**DESIGN BY :**

Ernesto Gismondi

MATERIALS :

Aluminium

DESCRIPTION :

A range of floor lamps with direct-indirect lighting using fluorescent lamps. Optical unit and pole in extruded aluminium. Steel base. Aluminium "DARK LIGHT" optic. Light output ratio 62%. Light distribution: 73% indirect and 27% direct. Polycarbonate dust-protection screen. Complies with standard EN60598-1 and other specific standards.

Light emission

Direct/indirect

IP20

TECHNICAL DATA SHEET

Features

Product name:	Kalifa Floor Dark Light - Pole side - FLUO 4x55W Interactive-DALI - White
Article Code:	M168626
Colour:	White
Material:	Aluminium
Series:	Architectural
Environment:	Indoor
Area contract:	

OPTICS

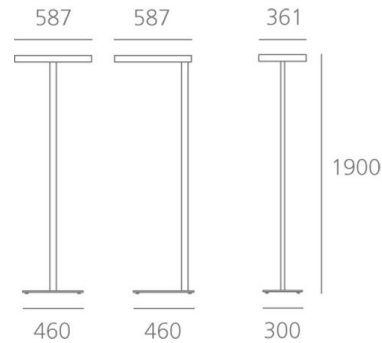
Emission:	Direct/indirect
-----------	-----------------

DIMENSIONS

Length:	(cm) 58.7
Width:	(cm) 36.1
Height:	(cm) 190
Cutout shape:	
Weight:	15

LAMPS NOT INCLUDED

Category:	FLUO
Number:	4
Lbs:	TC-LEL
Watt:	55
Socket:	2G11
Type:	FSDH
Luminous Flux (lm):	4800
Colour Rendering:	85
Colour temperature (K):	3000
Duration (h):	12000

Dimensions**LAMP**

IP20

ELECTRICAL

Starter:	Electronic Interactive-DALI Integrated
Voltage:	220V-240V

ACCESSORIES



KALIFA FLOOR -
Polycarbonate dust-
protection screen.
M168200



INTERACTIVE-DALI remote
control. M104900