

## PRODUCT DATA SHEET

### Kalifa Floor Dark Light - Pole central - FLUO 4x55W movement detector - White

**DESIGN BY :**

Ernesto Gismondi

**MATERIALS :**

Aluminium

**DESCRIPTION :**

A range of floor lamps with direct-indirect lighting using fluorescent lamps. Optical unit and pole in extruded aluminium. Steel base. Aluminium "DARK LIGHT" optic. Light output ratio 62%. Light distribution: 73% indirect and 27% direct. Polycarbonate dust-protection screen. Complies with standard EN60598-1 and other specific standards.

M168529

**Light emission**

Direct/indirect

IP20

**TECHNICAL DATA SHEET****Features**

Product name:	Kalifa Floor Dark Light - Pole central - FLUO 4x55W movement detector - White
Colour:	White
Material:	Aluminium
Series:	Architectural
Environment:	Indoor
Area contract:	

**OPTICS**

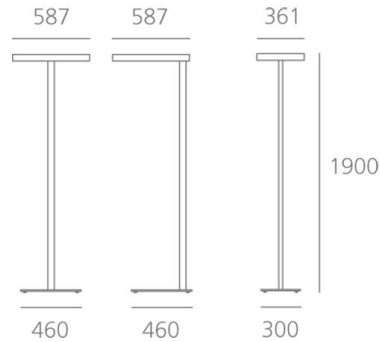
Emission:	Direct/indirect
-----------	-----------------

**DIMENSIONS**

Length:	(cm) 58.7
Width:	(cm) 36.1
Height:	(cm) 190
Cutout shape:	
Weight:	15

**LAMPS NOT INCLUDED**

Category:	FLUO
Number:	4
Lbs:	TC-LEL
Watt:	55
Socket:	2G11
Type:	FSDH
Luminous Flux (lm):	4800
Colour Rendering:	85
Colour temperature (K):	3000
Duration (h):	12000

**Dimensions****LAMP**

IP20

**ELECTRICAL**

Starter:	Electronic + movement detector Integrated
Voltage:	220V-240V



KALIFA FLOOR -  
Polycarbonate dust-  
protection screen.  
M168200