

PRODUCT DATA SHEET

Kalifa Floor Comfort - Pole side - FLUO 4x55W Interactive-DALI - Grey



DESIGN BY :

Ernesto Gismondi

MATERIALS :

Aluminium

DESCRIPTION :

A range of floor lamps with direct-indirect lighting using fluorescent lamps. Optical unit and pole in extruded aluminium. Steel base. "COMFORT" diffuser is a 4mm thick screen-printed tempered glass. Light output ratio 40%. Light distribution: 83% indirect and 17% direct. Polycarbonate dust-protection screen. Complies with standard EN60598-1 and other specific standards.

Light emission

Direct/indirect



TECHNICAL DATA SHEET

Features

Product name: Kalifa Floor Comfort - Pole side - FLUO 4x55W Interactive-DALI - Grey
 Article Code: M167896
 Colour: Grey
 Material: Aluminium
 Series: Architectural
 Environment: Indoor
 Area contract:

OPTICS

Emission: Direct/indirect

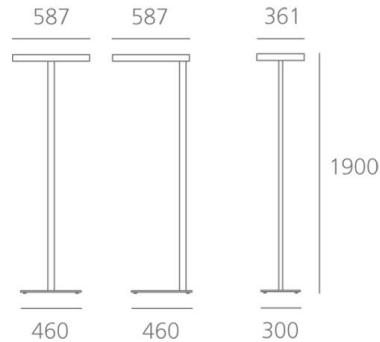
DIMENSIONS

Length: (cm) 58.7
 Width: (cm) 36.1
 Height: (cm) 190
 Cutout shape:
 Weight: 15

LAMPS NOT INCLUDED

Category: FLUO
 Number: 4
 Lbs: TC-LEL
 Watt: 55
 Socket: 2G11
 Type: FSDH
 Luminous Flux (lm): 4800
 Colour Rendering: 85
 Colour temperature (K): 3000
 Duration (h): 12000

Dimensions



LAMP



ELECTRICAL

Starter: Electronic Interactive-DALI Integrated
 Voltage: 220V-240V

ACCESSORIES



KALIFA FLOOR -
Polycarbonate dust-
protection screen.
M168200



INTERACTIVE-DALI remote
control. M104900