

PRODUCT DATA SHEET

Kalifa Floor Comfort - Pole central - FLUO 4x55W movement detector - White



DESIGN BY :

Ernesto Gismondi

MATERIALS :

Aluminium

DESCRIPTION :

A range of floor lamps with direct-indirect lighting using fluorescent lamps. Optical unit and pole in extruded aluminium. Steel base. "COMFORT" diffuser is a 4mm thick screen-printed tempered glass. Light output ratio 40%. Light distribution: 83% indirect and 17% direct. Polycarbonate dust-protection screen. Complies with standard EN60598-1 and other specific standards.

Light emission

Direct/indirect



TECHNICAL DATA SHEET

Features

Product name: Kalifa Floor Comfort - Pole central - FLUO 4x55W movement detector - White
Article Code: M168029
Colour: White
Material: Aluminium
Series: Architectural
Environment: Indoor
Area contract:

OPTICS

Emission: Direct/indirect

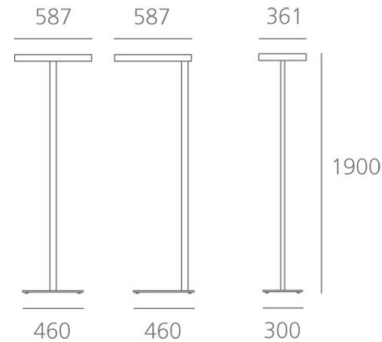
DIMENSIONS

Length: (cm) 58.7
Width: (cm) 36.1
Height: (cm) 190
Cutout shape:
Weight: 15

LAMPS NOT INCLUDED

Category: FLUO
Number: 4
Lbs: TC-LEL
Watt: 55
Socket: 2G11
Type: FSDH
Luminous Flux (lm): 4800
Colour Rendering: 85
Colour temperature (K): 3000
Duration (h): 12000

Dimensions

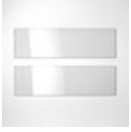


LAMP



ELECTRICAL

Starter: Electronic + movement detector
Voltage: Integrated
 220V-240V



KALIFA FLOOR -
Polycarbonate dust-
protection screen.
M168200